

## Features

- Oval basin.
- Unique overflow drain.
- No faucet holes; requires wall- or counter-mount faucet.

## Material

- 20-gauge stainless steel.

## Installation

- Under-mount or drop-in.

## Required Accessories

K-7114-A Pop-Up Drain

or

K-7126 Pop-up drain

or

K-7124-A Pop-Up Clicker Drain

or

K-7127-A Drain

or

K-7128-A Drain

or

K-7129-A Drain

or

K-7131-A Offset Drain

## Recommended Accessories

K-8998 P-Trap

## Components

Additional included component/s: Basin clamp assembly, and Cutout template.



ADA

## Codes/Standards

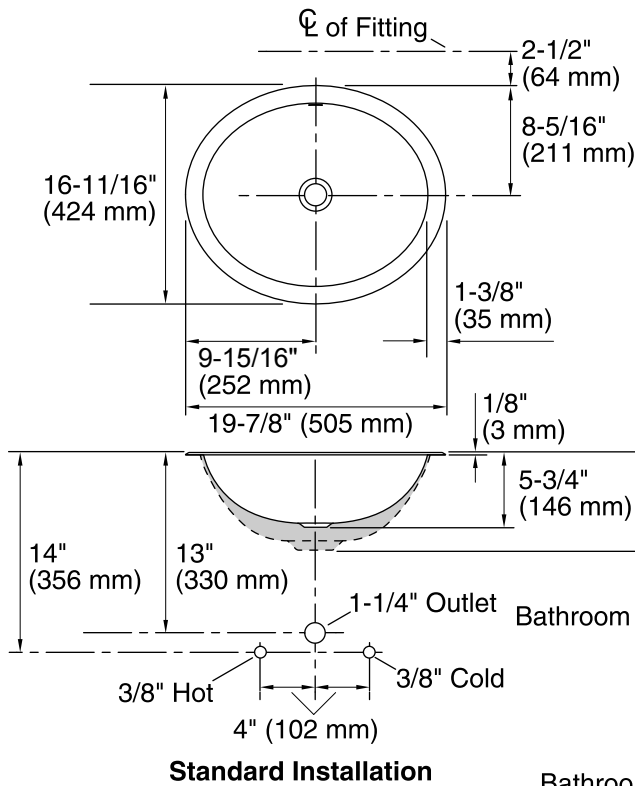
ASME A112.19.3/CSA B45.4

ADA

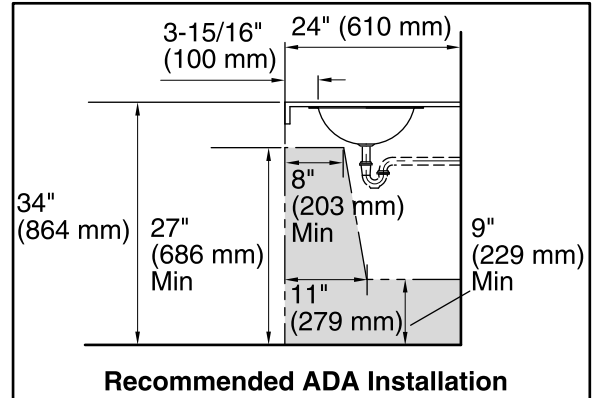
ICC/ANSI A117.1

## Kohler One-Year Limited Warranty

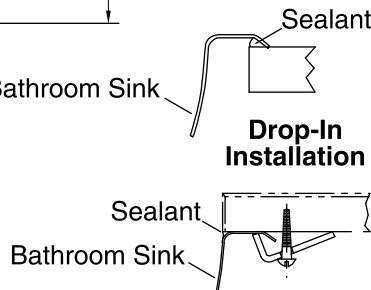
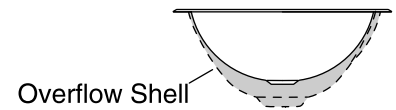
See website for detailed warranty information.



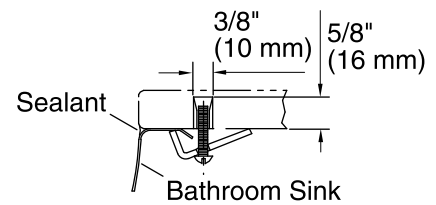
**Standard Installation**



**Recommended ADA Installation**



**Wood Installation**



**Marble Installation**

## Technical Information

All product dimensions are nominal.

Installation:	Drop-In, Under-mount
Bowl area	Length: 17-1/8" (435 mm) Width: 14" (356 mm) Water depth: 4-1/16" (103 mm)
Drain hole:	1-5/8" (41 mm)
Template:	Drop-in, 1248333-7, not required, not included Under-mount, 1248333-7, not required, not included

## Notes

Install this product according to the installation guide.

Installer must supply anchors based on countertop material and thickness.

ADA compliant when installed to the specific requirements of these regulations.