

### Features

- Slotted overflow for maximum bathing depth
- Integral lumbar support
- Molded armrests for extra comfort
- Two-piece design
- Textured Bottom Surface
- 67-3/4" (1721 mm) x 31-3/4" (806 mm) x 22" (559 mm)
- End Drain Placement

### Material

- Exocrylic™

### Installation

- Freestanding Bath
- Requires K-7271 or K-7272 Clearflo slotted overflow bath drain (sold separately).

### Required Accessories

K-7271 Slotted Overflow Bath Drain

or

K-7272 Slotted Overflow Bath Drain



### Codes/Standards






CSA B45.5/IAPMO Z124

CARB P2

See website for detailed warranty information.

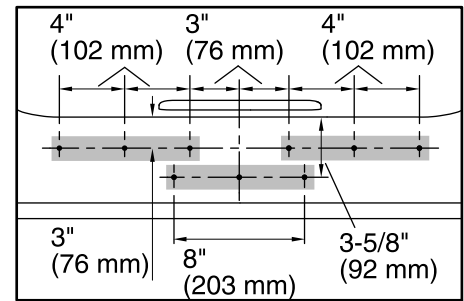
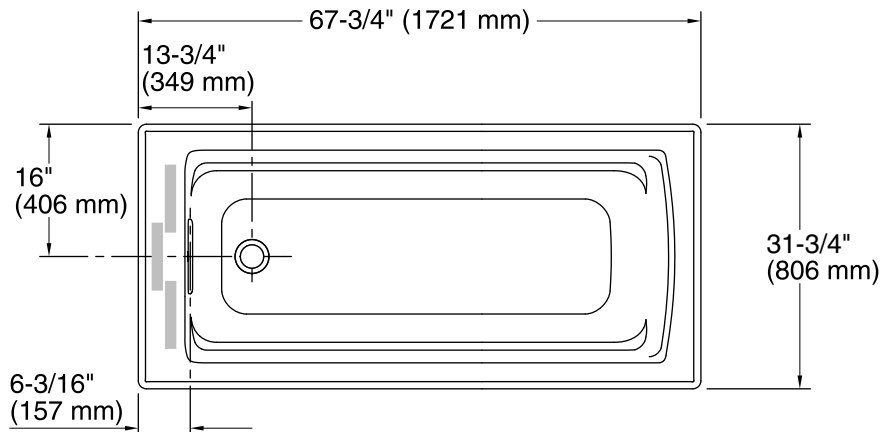
### Available Color/Finishes

*Color tiles intended for reference only.*

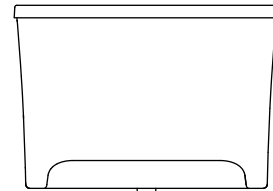
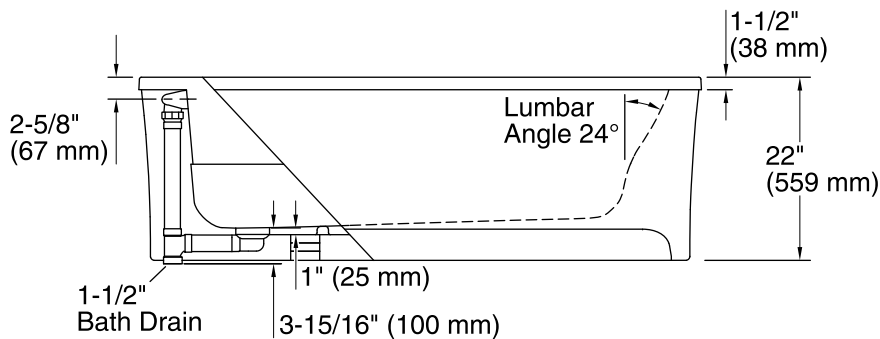
Color	Code	Description
	0	White
	96	Biscuit
	47	Almond
	NY	Dune
	G9	Sandbar

No change in measurements if connected with drain illustrated. (K-7272)

█ Faucet area.



**Faucet Hole Locations  
(For KOHLER® Brand Only)**



### Technical Information

All product dimensions are nominal.

Installation:	Freestanding
Drain location:	End
Basin area, bottom:	51-1/16" x 19-11/16" (1297 mm x 500 mm)
Basin area, top:	58-9/16" x 25-5/16" (1487 mm x 643 mm)
Weight:	95 lbs (43.1 kg)
Minimum floor load:	43.8 lbs/ft <sup>2</sup> (213.9 kg/m <sup>2</sup> )
Water depth:	15-1/16" (383 mm)
Water capacity:	65 gal (246.1 L)

### Notes

Measure your actual product for roughing-in details.

Install this product in accordance with the installation instructions.

This bath is designed for freestanding installation only.

The hot water supply should be 70% of the capacity of the bath or greater. Installations will vary.