

Features

- Slotted overflow for maximum bathing depth.
- Integral lumbar support.
- Molded armrests for extra comfort.
- Two-piece design.
- Textured bottom surface.
- 61-3/4" (1568 mm) x 31-3/4" (806mm) x 22" (559 mm)
- End drain placement.

Material

- Exocrylic™

Installation

- Freestanding bath.

Required Accessories

K-7271 Slotted Overflow Bath Drain

or

K-7272 Slotted Overflow Bath Drain



Codes/Standards

CSA B45.5/IAPMO Z124

CARB P2






KOHLER® One-Year Limited Warranty

See website for detailed warranty information.

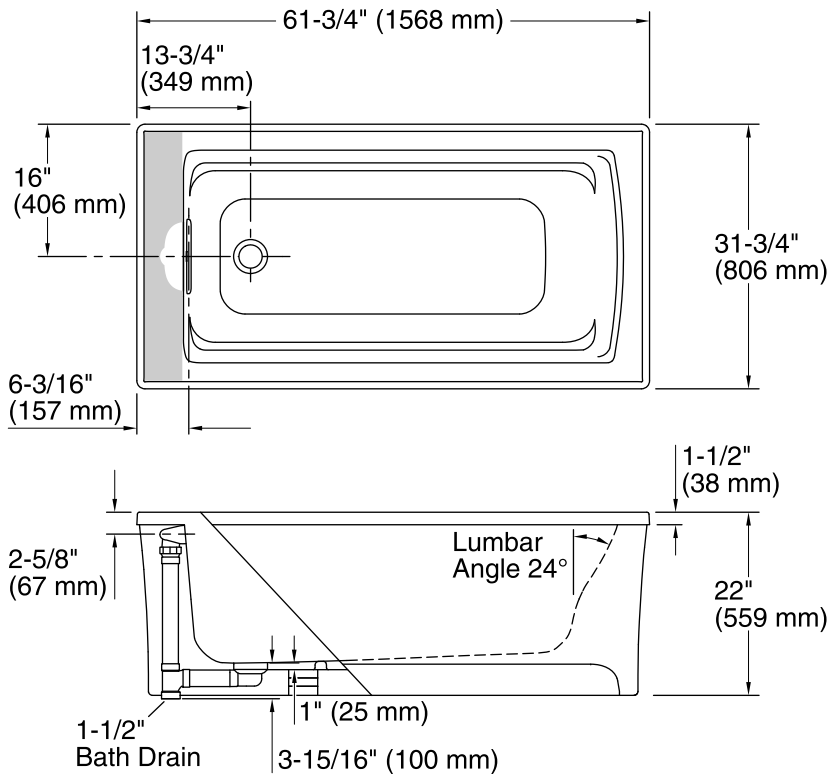
Available Color/Finishes

Color tiles intended for reference only.

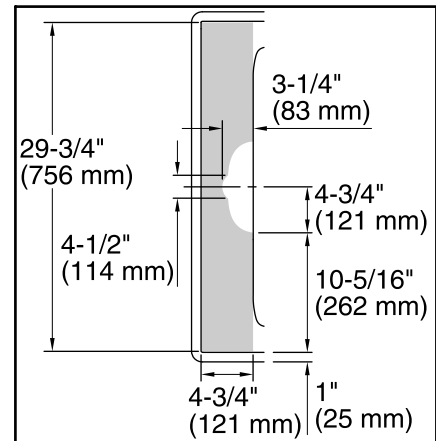
Color	Code	Description
-------	------	-------------

	0	White
	96	Biscuit
	47	Almond
	NY	Dune
	G9	Sandbar

Recommended faucet area.



No change in measurements if connected with drain illustrated. (K-7272)



Recommended Faucet Area Detail

Technical Information

All product dimensions are nominal.

Installation:	Freestanding
Drain location:	Reversible
Basin area, bottom:	45-1/8" x 19-11/16" (1147 mm x 500 mm)
Basin area, top:	52-3/4" x 25-5/16" (1339 mm x 643 mm)
Weight:	81 lbs (36.7 kg)
Minimum floor load:	42.8 lbs/ft ² (209 kg/m ²)
Water depth:	15-1/16" (383 mm)
Water capacity:	58 gal (219.6 L)

Notes

Measure your actual product for roughing-in details.

Install this product in accordance with the installation instructions.

This bath is designed for freestanding installation only.

NOTICE: Do not support the load weight of the bath by the rim.

NOTICE: Confirm adequate support for rim-mount faucet. Using faucets as a means of support are not appropriate or safe for this installation.