



Highline® Tall

Two-piece elongated tall toilet

K-25224

Features

- Two-piece toilet.
- Elongated bowl offers added room and comfort.
- Highline® Tall bowl offers seating 2" higher than Comfort Height® for enhanced comfort, ease of sitting and standing, and gracious accessibility.
- 1.28 gallons per flush (gpf).
- Standard left-hand Polished Chrome trip lever included.

Technology

- Single-flush gravity uses the force of gravity and a precision-engineered tank, bowl, and trapway to create a strong siphon during flushing.
- Class Five® flushing technology offers virtually plug-free performance and rinsing power for a clean bowl.

Installation

- Standard 12" rough-in.
- Three-bolt installation.
- Seat and supply line not included.

Recommended Products/Accessories

- K-4636 Cachet® Quiet-Close™ Elongated Toilet Seat
- K-5588 Purefresh® Elongated Toilet Seat
- K-4108 C³®-230 Elongated cleansing toilet seat
- K-9379 Trip Lever
- 1023457 Wax Ring/Hardware Kit
- 1265114 Connector Hose
- K-23726 Drain treatment
- K-23734 Toilet bowl cleaner & disinfectant
- K-23724 Toilet cleaner & disinfectant

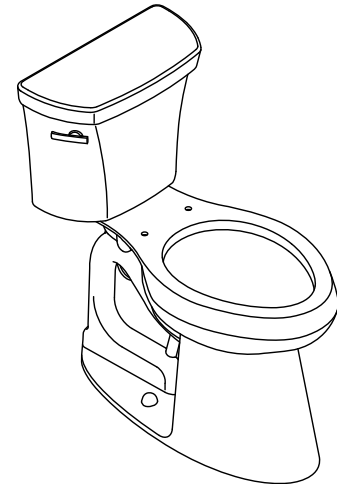
Included Components

Product consists of:

- K-4467 Toilet tank, 1.28 gpf
- K-22661 Elongated tall toilet bowl

Additional Components:

- Bolt cap (Qty 2)
- Tank
- Tank accessory pack
- Tank cover
- Trip lever



Codes/Standards



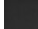
- ASME A112.19.2/CSA B45.1
- DOE - Energy Policy Act 1992
- EPA WaterSense®
- California Energy Commission (CEC)

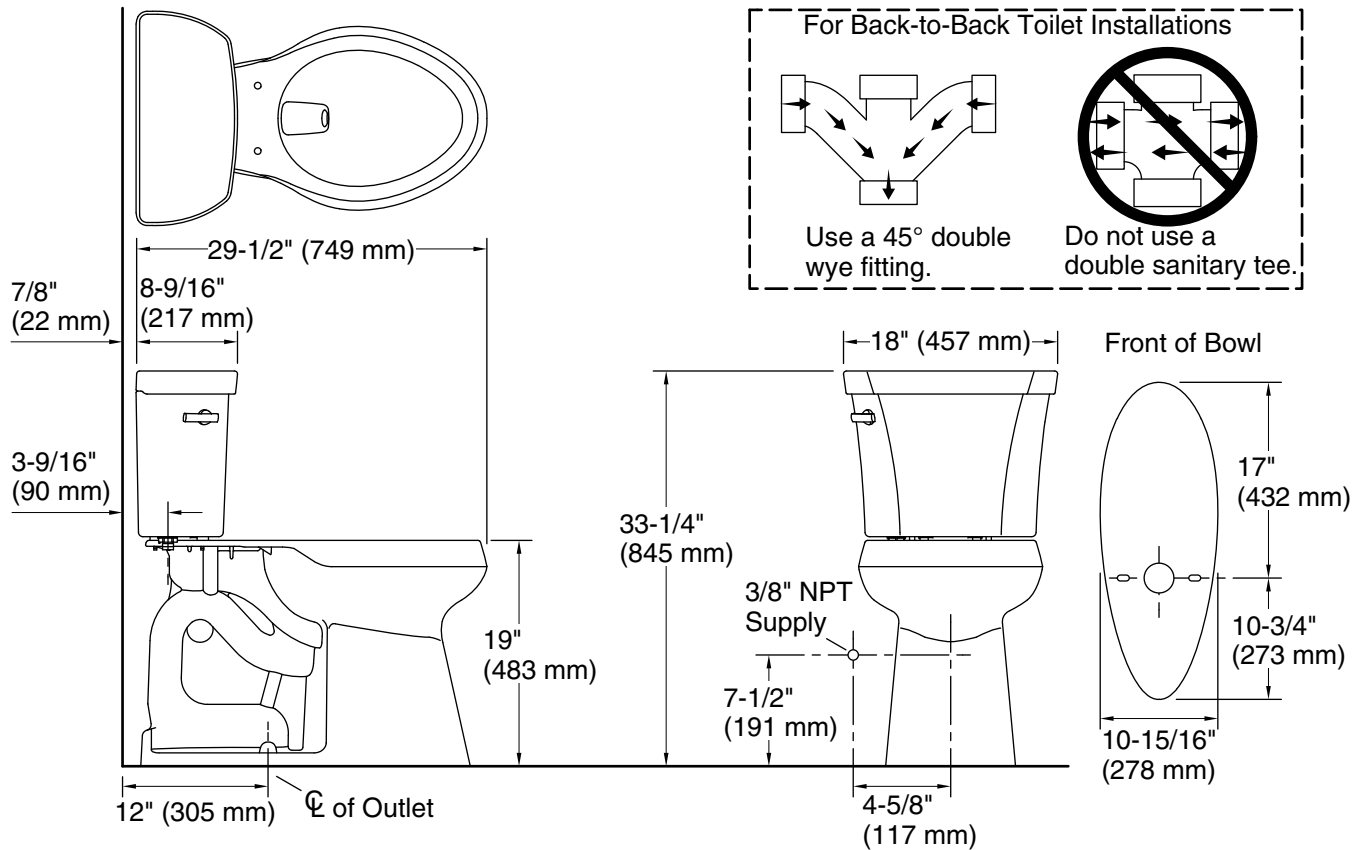
KOHLER® One-Year Limited Warranty

See website for detailed warranty information.

Available Colors/Finishes

Color tiles intended for reference only.

Color	Code	Description
	0	White
	96	Biscuit
	7	Black Black™



Technical Information

All product dimensions are nominal.

Toilet type:	Two-piece, Floor-mount
Waste Outlet:	Floor
Bowl shape:	Elongated
Flush type:	Class Five®
Trap passageway:	2-1/8" (54 mm)
Water Consumption	
Full:	1.28 gpf (4.8 lpf)
Water surface size:	9-1/4" x 6-1/2" (235 mm x 165 mm)
Rim to water surface:	6-3/8" (161 mm)
Rough-in:	12" (305 mm)
Seat-mounting holes:	5-1/2" (140 mm)

Notes

Install this product according to the installation instructions.

For back-to-back toilet installations: Use only a 45° double wye fitting.