

## Features

- Large Single bowl.
- 10-inch depth provides generous workspace.
- No faucet holes.
- SilentShield® sound-absorption technology offers quieter performance.
- Three graduated ledges in basin allow you to place accessories at your preferred height.
- Beveled cone-shape slopes into the drain, easily disposing debris.
- Includes a bamboo cutting board which fits securely on the sink. Cutting board covers ½ of the sink providing an easy-to-clean work surface while still maintaining access to the sink.
- Includes two durable dishwasher-safe grated racks that provide a convenient shelf for drying, rinsing, and defrosting.
- Includes a durable dishwasher safe wash bin and colander for draining pasta, washing dishes, or defrosting meat.
- Includes installation hardware.

## Material

- Handcrafted from 18-gauge stainless steel.

## Installation

- Minimum base cabinet width: 45"-48" (45" may require cabinet modifications).
- Under-mount
- Strainer not included.

## Recommended Accessories

K-8801 Sink Strainer  
K-8799 Sink Strainer

## Components

Product includes:

K-23680 Large Bamboo Cutting Board  
K-5544 Colander and Washbin  
K-5542 Multipurpose Grated Rack  
K-5542 Multipurpose Grated Rack

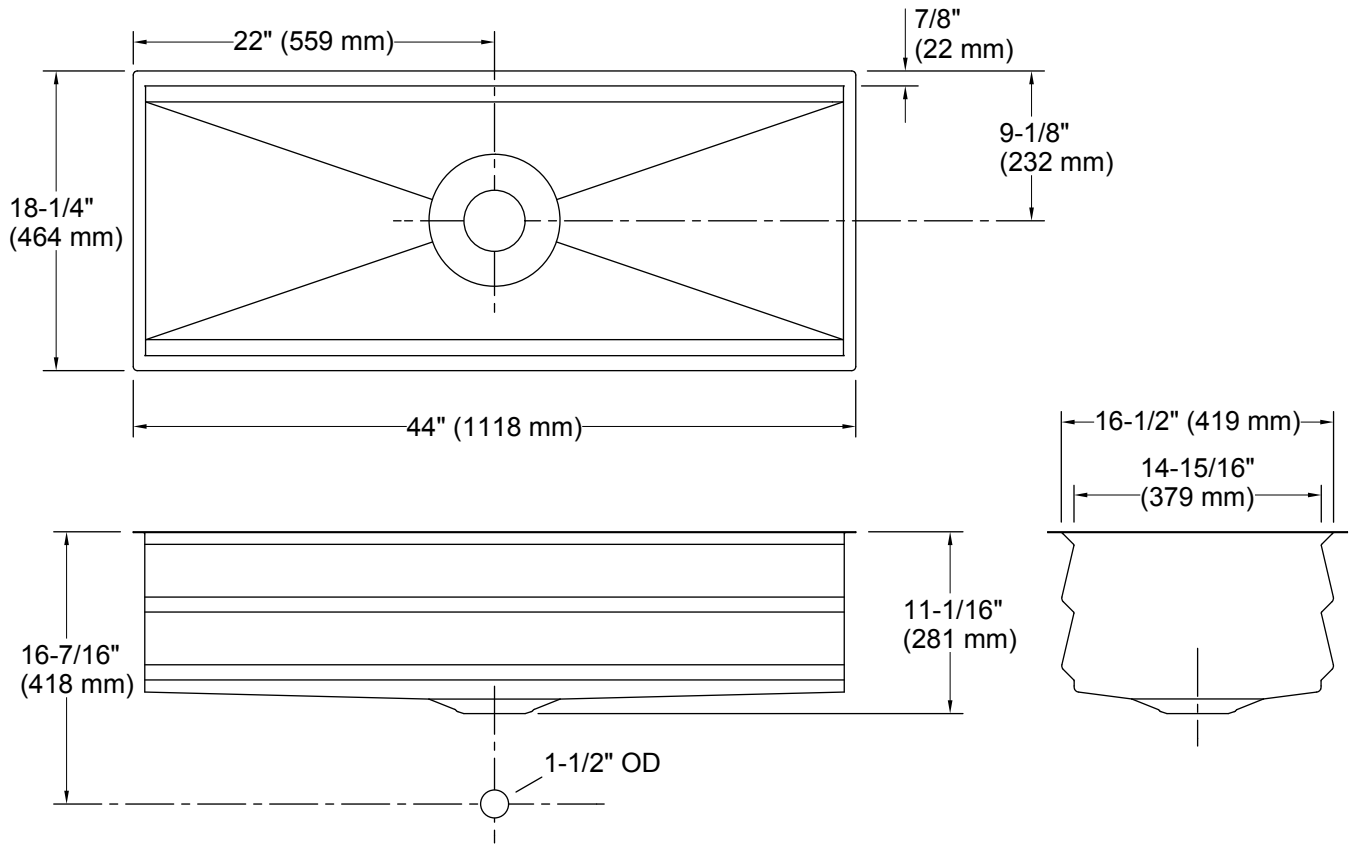


## Codes/Standards

ASME A112.19.3/CSA B45.4

## Lifetime Limited Warranty for KOHLER® Stainless Steel Sinks

See website for detailed warranty information.



## Technical Information

All product dimensions are nominal.

Installation:	Under-mount
Bowl area (Only):	Length: 42-1/2" (1080 mm) Width: 14-15/16" (379 mm) Bowl depth: 10-1/8" (257 mm) Water depth: 10-1/8" (257 mm)
Drain hole:	3-3/4" (94 mm)
Template:	1311447-7, required, included

## Notes

Install this product according to the installation instructions.

Countertop manufacturer or cutter must use the cut-out template provided with the product, or a current one provided by Kohler Co. (call 1-800-43-FOCUS). Kohler Co. is not responsible for cut-out errors when the incorrect cut-out template is used.