



**Verse™**  
Top-mount Kitchen Sink  
**K-20060-1**

**Features**

- 36-inch minimum base cabinet width.
- Single bowl.
- 1 faucet hole.
- SilentShield® sound-absorption technology offers quieter performance.
- 9" depth provides generous workspace.
- Includes installation hardware.

**Material**

- 18-gauge stainless steel.

**Installation**

- Top-mount

**Components**

Additional included component/s: Installation hardware.

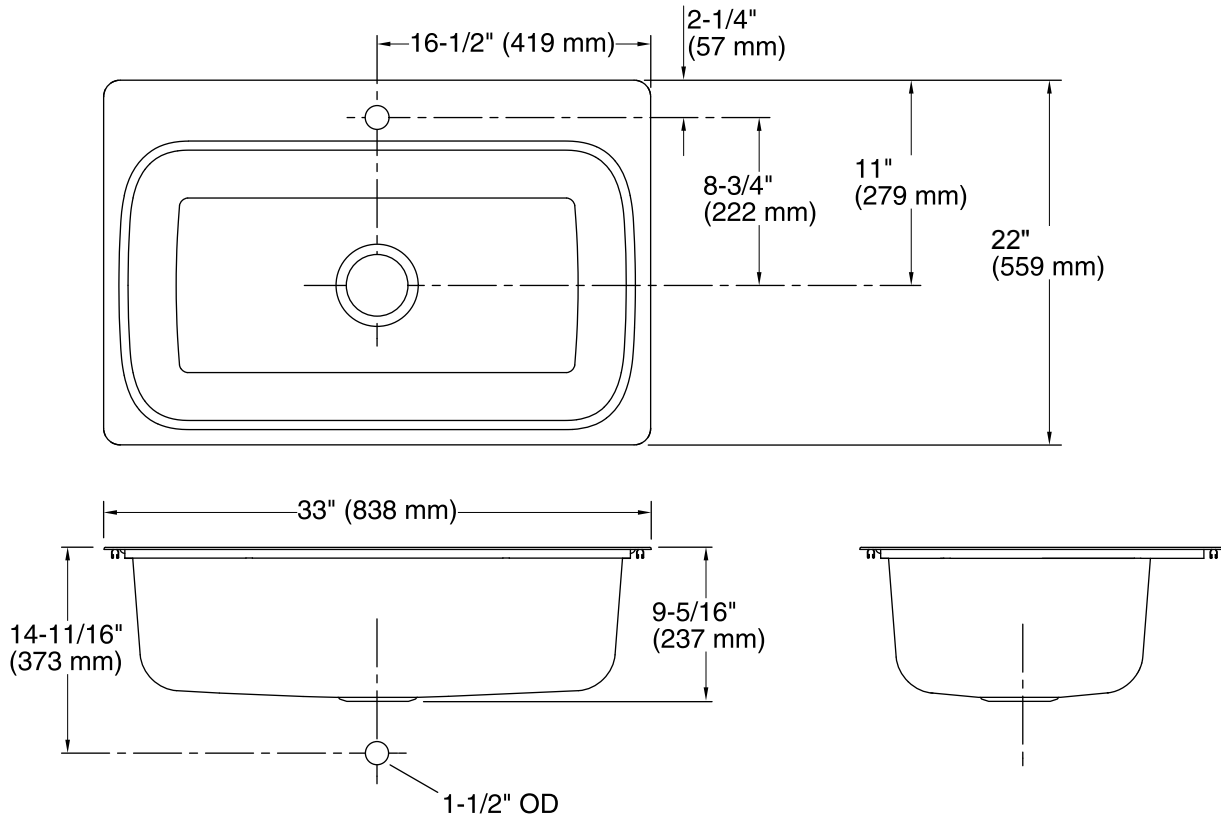


**Codes/Standards**

ASME A112.19.3/CSA B45.4

**Lifetime Limited Warranty for  
KOHLER® Stainless Steel Sinks**

See website for detailed warranty information.



### Technical Information

All product dimensions are nominal.

Installation:	Top-mount
Bowl area (Only)	Length: 29-7/16" (748 mm) Width: 15-11/16" (399 mm) Bowl depth: 9" (229 mm) Water depth: 9" (229 mm)
Number of deck holes:	1
Faucet hole(s):	1-7/16" (37 mm)
Drain hole:	3-3/4" (94 mm)

### Notes

Install this product according to the installation instructions.