



**Brenham™**  
Wall-Mount Bathroom Sink  
**K-1997-1N**

**Features**

- With hanger.
- Without overflow.
- Drilled for concealed arm carrier.
- Single-hole drilling.
- 1-15/16 " (557 mm) x 19-3/4 " (502 mm)

**Material**

- Vitreous china.

**Installation**

- Wall-mount installation.

**Optional Accessories**

- K-8998 P-Trap
- K-1998 Shroud

**Components**

Additional included component/s: Hanger (2 required).



**ADA** **CSA B651** **OBC**

**Codes/Standards**

ASME A112.19.2/CSA B45.1  
ADA  
ICC/ANSI A117.1  
CSA B651  
OBC

**KOHLER® One-Year Limited Warranty**

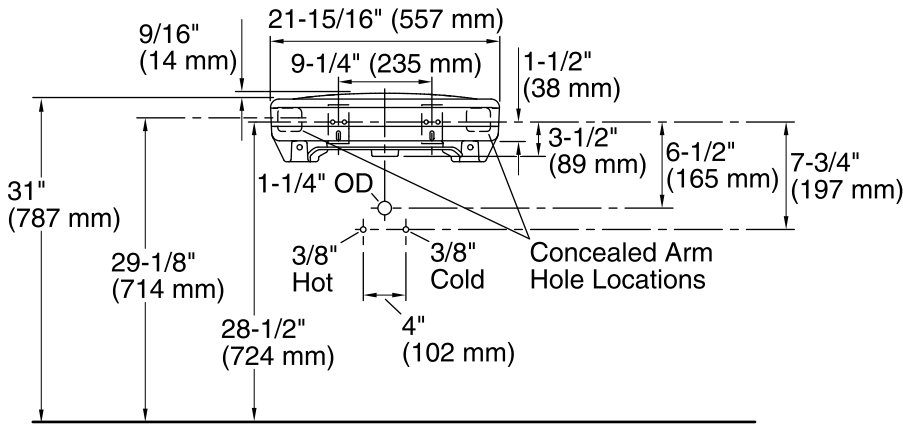
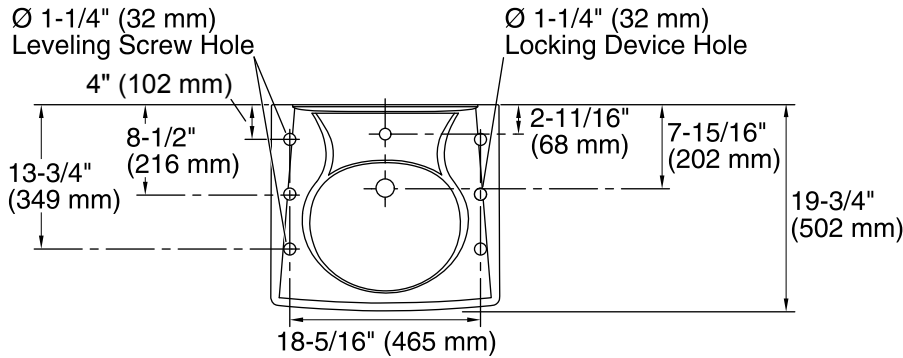
See website for detailed warranty information.

**Available Color/Finishes**

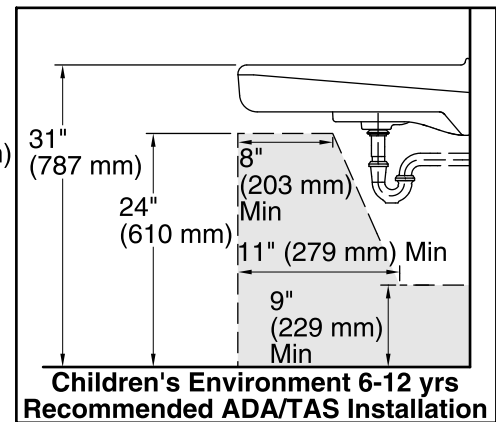
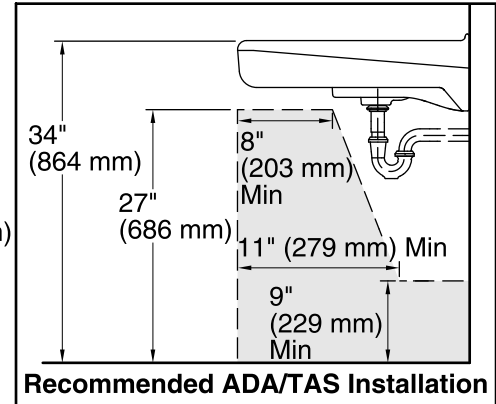
*Color tiles intended for reference only.*

**Color Code Description**

■ 0 White



**Standard Installation**



### Technical Information

All product dimensions are nominal.

Bowl configuration: Single

Installation: Wall-mount

Bowl area (Only): Length: 14-3/8" (365 mm)  
Width: 12-5/16" (313 mm)  
With overflow: Yes  
Water depth: 3-1/4" (83 mm)

Number of deck holes: 2

Faucet hole(s): 1-3/8" (35 mm)

Drain hole: 1-3/4" (44 mm)

### Notes

Install this product according to the installation instructions.

ADA, OBC, CSA B651 compliant when installed to the specific requirements of these regulations.