

Features

- Integral flange.
- Flange helps prevent water from seeping behind wall and simplifies alcove installation.
- Center drain.
- Low step-over height.
- One-piece construction.
- Compliments traditional and contemporary bathroom designs.
- Coordinates with Choreograph™ walls.

Material

- Resin concrete core with acrylic surface.

Installation

- Alcove

Required Accessories

K-706008-D3 Frameless Sliding Shower Door

or

K-706008-L Frameless Sliding Shower Door

or

K-706010-L Frameless Sliding Shower Door

Recommended Accessories

K-9132 Shower Drain



Codes/Standards

CSA B45.5/IAPMO Z124

ASTM E162

ASTM E662


KOHLER® One-Year Limited Warranty

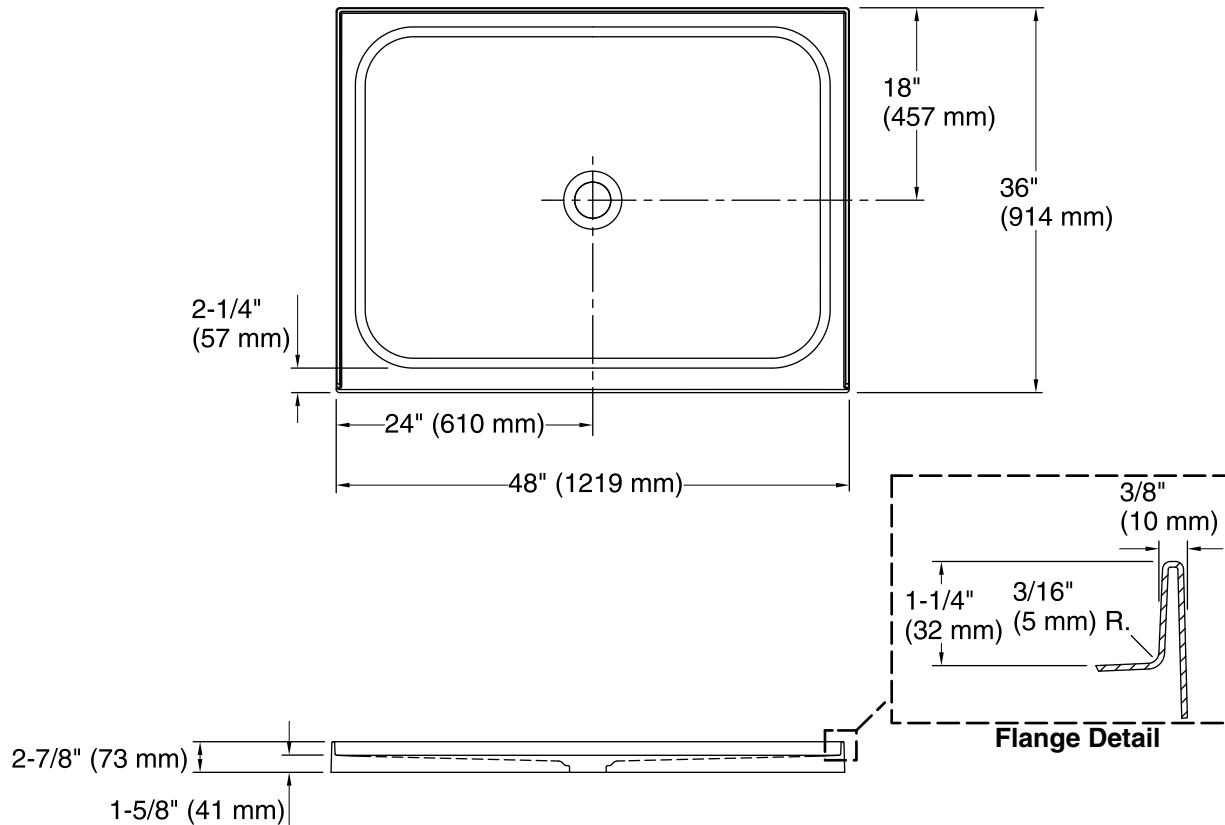
See website for detailed warranty information.

Available Color/Finishes

Color tiles intended for reference only.

Color	Code	Description
-------	------	-------------

	0	White
--	---	-------



Technical Information

- All product dimensions are nominal.
- Installation: 3-Wall Alcove
 - Drain location: Center
 - Drain hole diameter: 3-3/8" (86 mm)
 - Weight: 107 lbs (48.5 kg)
 - Minimum floor load: 12 lbs/ft² (58.6 kg/m²)
 - Minimum flat for door: 2" (51 mm)
 - Threshold height: 1-5/8" (41 mm)

Notes

- Measure your actual product for rough-in details.
- Install this product according to the installation instructions.
- CAUTION:** Risk of property damage and personal injury. Using this product without a shower door may cause water damage and may create a wet and potentially dangerous environment.
- A shower door with a bottom track is required for this receptor. Kohler Co. shall not be responsible for problems encountered due to the installation and use of other manufacturer's shower doors.
- Refer to Kohler Fixtures Price Book for complete list of required shower doors for this product.