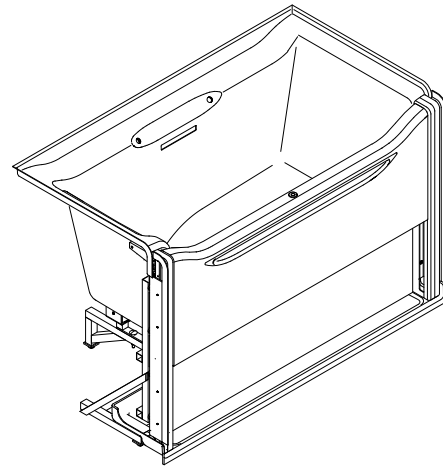


Features

- Acrylic construction with a removable door for remodeling
- Door glides on a track system with a counterbalance system to make it lightweight
- Without a grab bar
- 60-1/4" (1530 mm) x 33-1/2" (851 mm) x 38" (965 mm)
- Fills bath within 4 minutes when using 3/4" supply valve and piping



Codes/Standards Applicable

Specified model meets or exceeds the following:

- ADA
- ICC/ANSI A117.1
- ASME A112.19.15/CSA B45.15
- CSA B45.5/IAPMO Z124
- ASTM E162
- ASTM E662
- UL 1951

Colors/Finishes

- 0: White
- CP: Polished Chrome
- Other: Refer to Price Book for additional colors/finishes

Specified Model

Model	Description	Colors/Finishes	
K-1913-L	5' bath – left drain	<input type="checkbox"/> 0	<input type="checkbox"/> Other_____
Required Accessories			
K-1010	Grab bar	<input type="checkbox"/> CP	<input type="checkbox"/> Other_____
K-7272	Adjustable pop-up drain	<input type="checkbox"/> CP	<input type="checkbox"/> Other_____
Recommended Accessories			
K-2971-KS	HiFlow Rite-Temp® valve with stops	<input type="checkbox"/> NA	
K-728-K	Mastershower® three-way/two-way transfer valve	<input type="checkbox"/> NA	
K-977	Handspray hose		<input type="checkbox"/> CP
K-8820	Sink strainer		<input type="checkbox"/> CP
K-10257	Ellipse handshower - black handle		<input type="checkbox"/> CP
K-11891	Purist® grab bar		<input type="checkbox"/> Other_____

Note

Installations at high altitude may affect product performance. Contact Kohler Co. if installing more than 6000 ft (1828.8 m) above sea level.

ELEVANCE™ RISING WALL

Technical Information

Fixture*:	
Bathing well:	
Basin area, bottom	43" (1092 mm) x 22-1/2" (572 mm)
Basin area, top	48-3/4" (1238 mm) x 23-3/8" (594 mm)
Weight	260 lbs (117 kg)
To overflow:	
Water depth	14" (406 mm) at the seat area, 19-3/4" (502 mm) at the drain area
Capacity	72 gal (273 L) without a bather
* Approximate measurements for comparison only.	

Required Electrical Service

120 V circuit required. Locate a Class A Ground-Fault Circuit-Interrupter (GFCI) or Residual Current Device (RCD) outlet within 24" (610 mm) of the door/system controller.	
Door/System Controller	120 V, 500 mA, 60 Hz

Installation Notes

Install this product according to the installation guide.

Floor support under the bath must provide for a minimum of 60 lbs/square foot (293 kg/square meter) loading.

Hot water supply should be 70% of capacity or greater. Installations will vary.

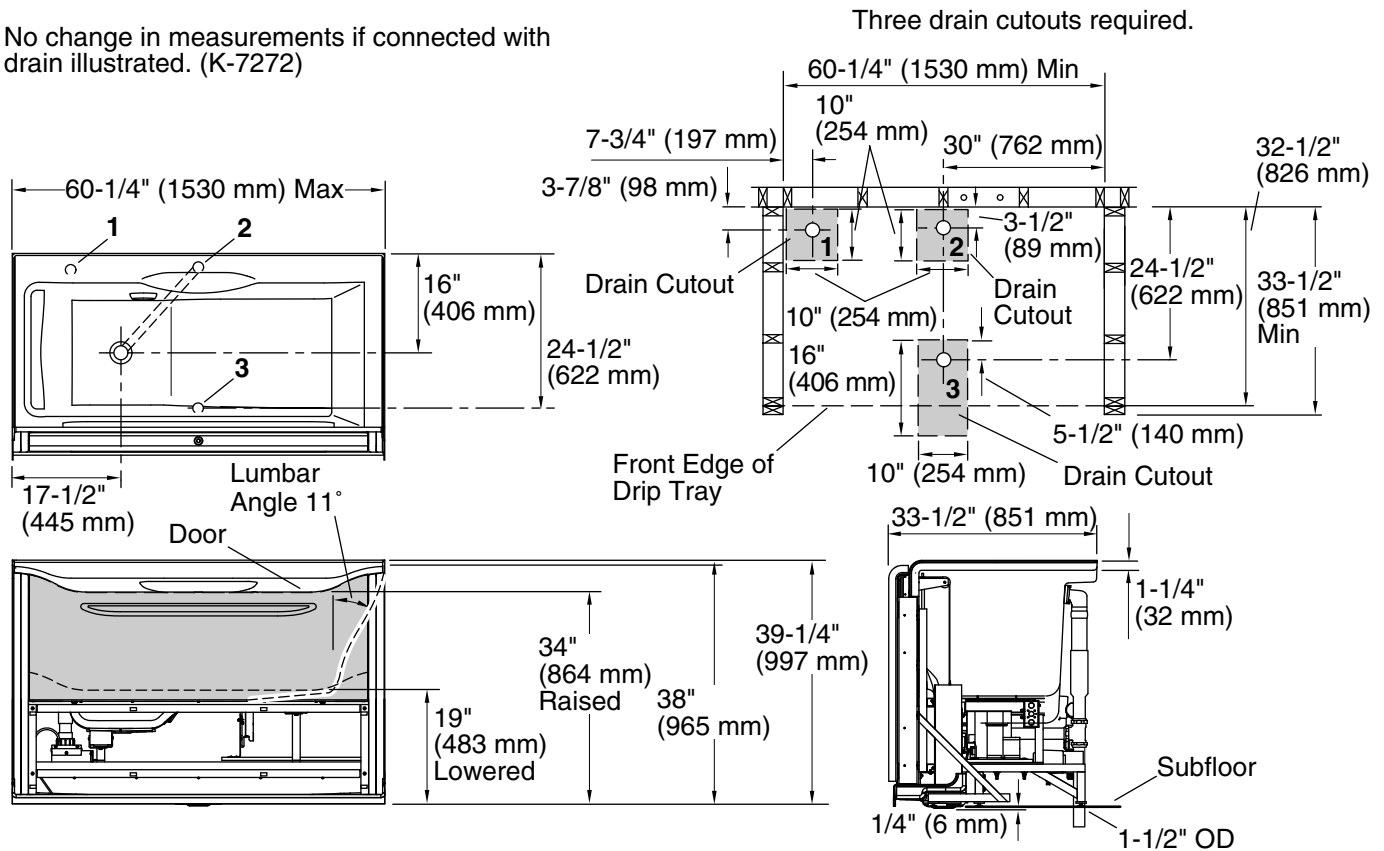
NOTICE: Three drains are required. Drains 1 and 2 require a 10" (254 mm) x 10" (254 mm) cutout. Drain 3 requires a 10" (254 mm) x 10" (254 mm) cutout if accessible from below. For above-floor access, make a 10" (254 mm) x 16" (406 mm) cutout. Support the finished floor accordingly.

A 350 VA size or greater Uninterruptible Power Supply (UPS) is recommended for areas of routine or prolonged power outages.

Will comply with **ADA** when installed per Section 607 Bathtubs of the Act.

Fixture conforms to CSA B45.5/IAPMO Z124. All dimensions are nominal.

No change in measurements if connected with drain illustrated. (K-7272)



Product Diagram