

Features

- Top mount dual-flush actuator.
- Water-saving dual-flush actuator offers two flushing options.
- Spring-loaded actuator buttons for smooth actuation.
- KOHLER finishes resist corrosion and tarnish.
- For use with select Persuade Circ (K-3753) and Persuade Curv (K-3723) dual-flush toilets with a tank cover hole diameter of 2" (51 mm).



Codes/Standards


ASME A112.18.1/CSA B125.1

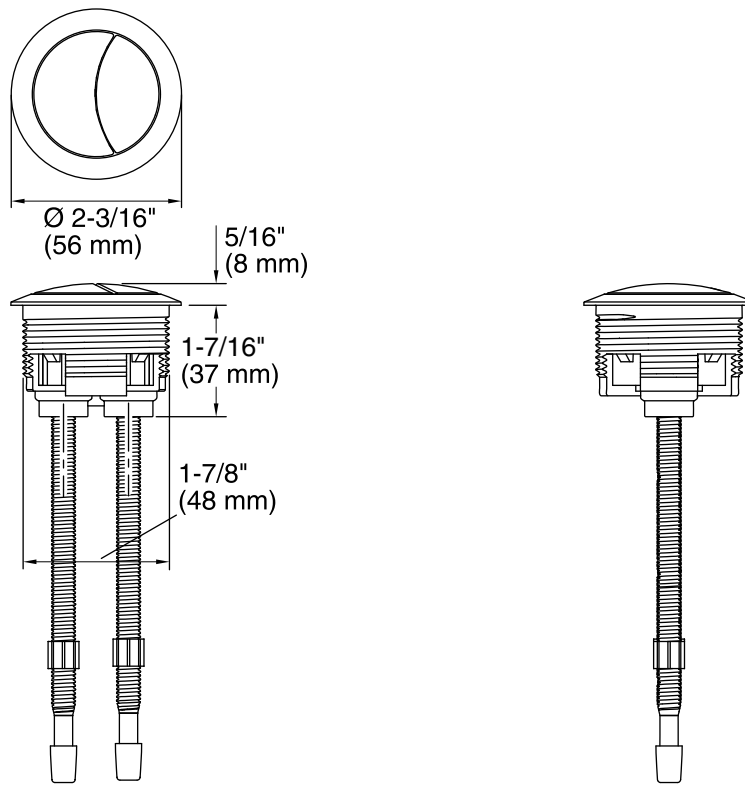
KOHLER® One-Year Limited Warranty

See website for detailed warranty information.

Available Color/Finishes

Color tiles intended for reference only.

Color	Code	Description
	SN	Vibrant® Polished Nickel
	G	Brushed Chrome
	BN	Vibrant® Brushed Nickel
	BV	Vibrant® Brushed Bronze



Technical Information

All product dimensions are nominal.

Notes

Install this product according to the installation guide.