



Underscore®
 5' BubbleMassage™ Bath
K-1849-G



Features

- End drain.
- Slotted overflow for deep soaking.
- Integral lumbar support.
- 60" (1524 mm) x 36" (914 mm) x 21" (533 mm)

Material

- Acrylic

Hydrotherapy

- 122 BubbleMassage™ airjets. 18 levels of massage intensity.
- Zones of Control feature allows you to target massage to back, midsection, or feet.
- Automatic purge cycles remove residual water from air channels after use.
- Built-in 300 W heater.
- Lighted keypad control.

Installation

- Drop-in or under-mount.

Required Accessories

K-7271 Brass Slotted Overflow Bath Drain

or

K-7272 PVC Slotted Overflow Bath Drain

Recommended Accessories

- 1013469 Trim Ring, Interface, Core
- K-1491 Bath/Whirlpool Pillow
- K-1601 Bath/Whirlpool Footstop
- K-1705 Whirlpool/BubbleMassage™ Remote Control
- K-534 Under-mount Installation Kit
- K-9498 3" Keypad Trim
- K-24916 Wireless Music Kit



Codes/Standards

- ASME A112.19.7/CSA B45.10
- CSA B45.5/IAPMO Z124
- ASTM E162
- ASTM E162
- UL 1795
- Greenguard UL 2818 - Gold
- CARB P2

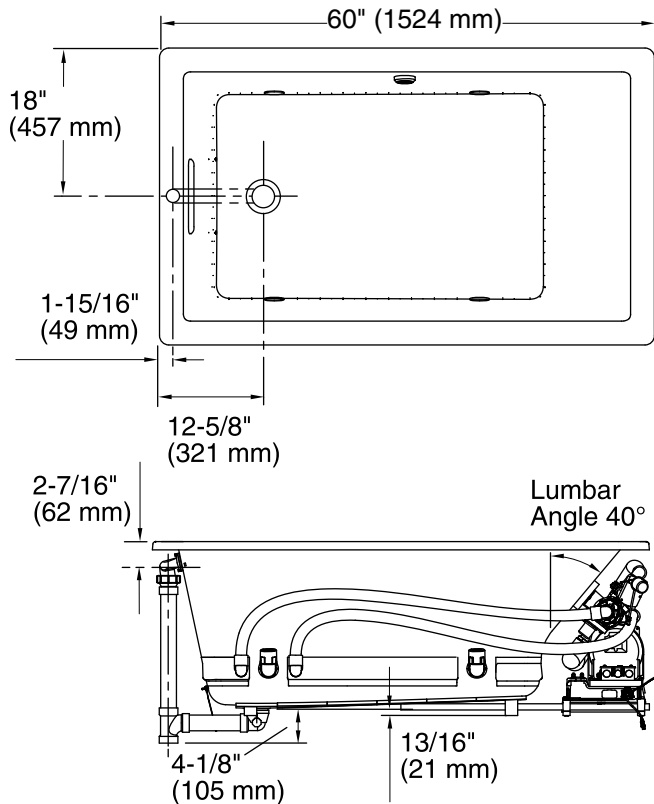
KOHLER® One-Year Limited Warranty

See website for detailed warranty information.

Available Color/Finishes

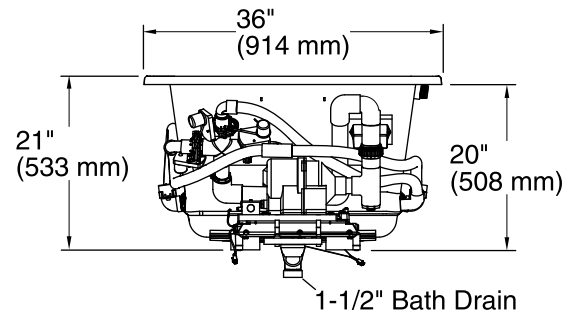
Color tiles intended for reference only.

Color	Code	Description
	0	White
	96	Biscuit
	47	Almond
	NY	Dune
	95	Ice™ Grey
	G9	Sandbar
	33	Mexican Sand™
	K4	Cashmere
	58	Thunder™ Grey
	7	Black Black™



No change in measurement if connected with drain illustrated. (K-7272)

Blower Motor/Control Access
 30" (762 mm) W x
 15" (381 mm) H Min



Required Electrical Service

One dedicated circuit required, protected with Class A Ground-Fault Circuit-Interrupter (GFCI) or Residual Current Device (RCD).

Blower: 240 V, 15 A, 50/60 Hz

Technical Information

All product dimensions are nominal.

Installation: Drop-in, Under-mount
 Drain location: End
 Basin area, bottom: 39-9/16" x 24-11/16" (1005 mm x 627 mm)
 Basin area, top: 53-5/8" x 29-1/2" (1362 mm x 749 mm)
 Weight: 100 lbs (45.4 kg)
 Minimum floor load: 54 lbs/ft² (263.7 kg/m²)
 Water depth: 17-1/8" (435 mm)
 Water capacity: 81.1 gal (307 L)
 Cutout: Drop-in, 59-1/2" x 35-1/2" (1511 mm x 902 mm)
 Electrical component rating: Blower: 240 V, 5 A, 50/60 Hz, 300 W
 Blower speed: Variable
 Minimum flat for door: 2-11/16" (68 mm)

Notes

Measure your actual product for rough-in details.

Install this product according to the installation instructions.

The hot water supply should be 70% of the capacity of the bath or greater. Installations will vary.

If relocating the blower motor, do not relocate or alter the PVC tee or coiled flexible tubing connected to the blower. Follow the blower relocation instructions exactly. Provide access for servicing the blower.