



Features

- Center drain.
- Slotted overflow for deep soaking.
- Integral lumbar support.
- 65-13/16" (1672 mm) x 36" (914 mm) x 25-3/16" (640mm)

Material

- Lithocast®

Installation

- Freestanding

Recommended Accessories

K-923 Bath Filler



Codes/Standards

ASME A112.18.2/CSA B125.2
CSA B45.5/IAPMO Z124
ASTM E162
ASTM E662
Greenguard UL 2818 - Gold

KOHLER® One-Year Limited Warranty

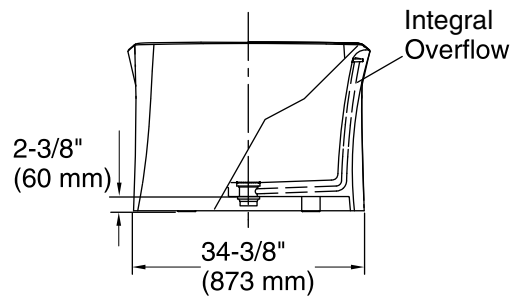
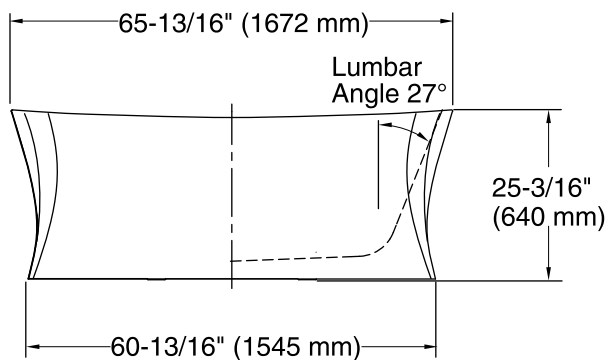
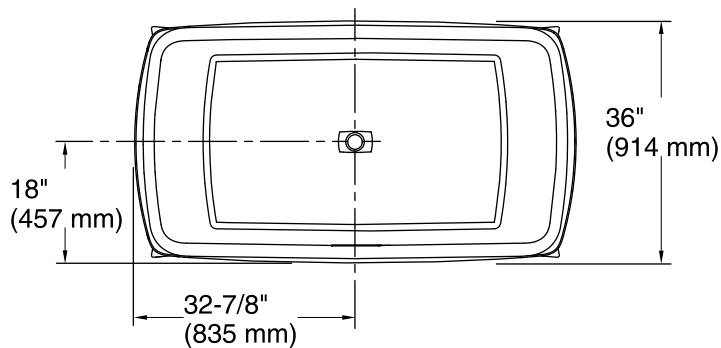
See website for detailed warranty information.

Available Color/Finishes

Color tiles intended for reference only.

Color	Code	Description
-------	------	-------------

	HW1	Honed White
--	-----	-------------



Technical Information

All product dimensions are nominal.

Installation:	Freestanding
Drain location:	Center
Basin area, bottom:	45-1/2" x 26" (1156 mm x 660 mm)
Basin area, top:	63-1/4" x 30-3/16" (1607 mm x 767 mm)
Weight:	524 lbs (237.7 kg)
Minimum floor load:	91.7 lbs/ft ² (447.7 kg/m ²)
Water depth:	18-1/2" (470 mm)
Water capacity:	115 gal (435.3 L)

Notes

Measure your actual product for rough-in details.

Install this product according to the installation instructions.

The hot water supply should be 70% of the capacity of the bath or greater. Installations will vary.