



**Stillness®**  
Toilet Tissue Holder  
**K-14393**

**Features**

- KOHLER finishes resist corrosion and tarnish.
- Coordinates with other products in the Stillness collection.
- 8-13/16" (208 mm) x 2-13/16" (71 mm) x 1-7/8" (48 mm)

**Material**

- Solid brass construction.

**Components**

Additional included component/s: Installation hardware, and template.



**Codes/Standards**



None Applicable

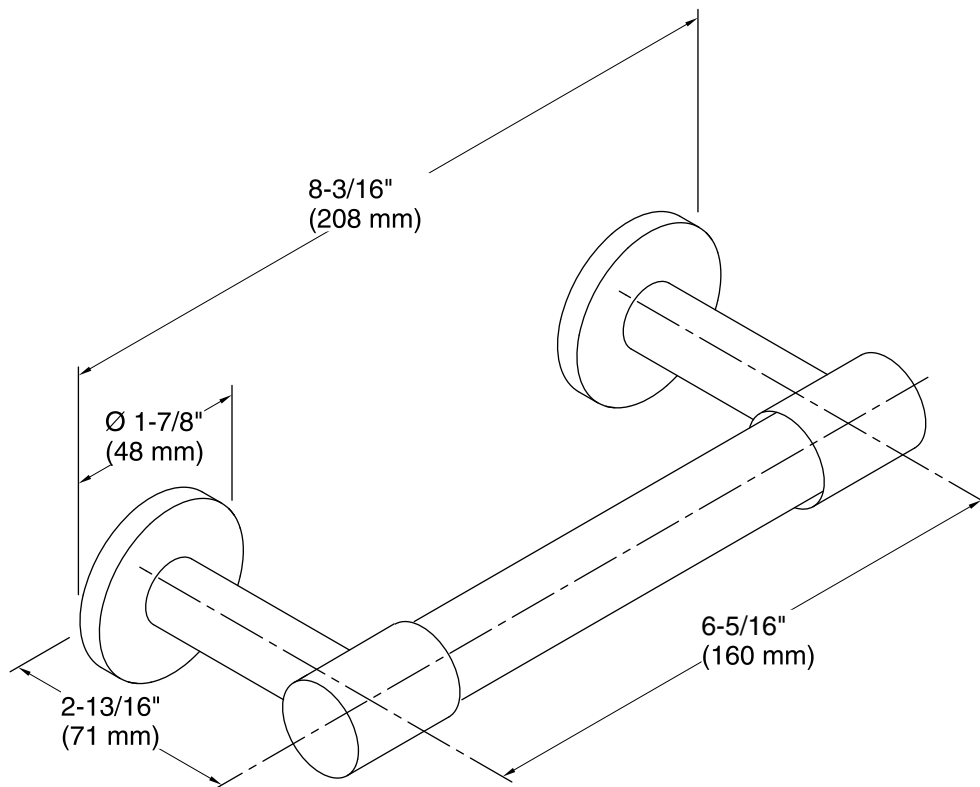
**KOHLER® Faucet Lifetime Limited Warranty**

See website for detailed warranty information.

**Available Color/Finishes**

*Color tiles intended for reference only.*

Color	Code	Description
	CP	Polished Chrome
	BN	Vibrant® Brushed Nickel



## Technical Information

All product dimensions are nominal.

## Notes

Install this product according to the installation guide.

**CAUTION:** Risk of personal injury. Do not install these products in any area where they are likely to be used inadvertently as a grab bar or support bar. These products are not designed or intended for use as a grab bar or support bar.