

Features

- Fixture-mount design.

Material

- Brass construction.

Technology

- Non-hold open piston technology for accurate activation.

Installation

- Intended for toilet installations with 1-1/2" spud coupling connection.

Optional Accessories

- GP1118986 Flushometer Extension Kit
- K-10313 12" Supply Line Sleeve
- K-13716 24" Tailpiece



ADA

CSA B651

OBC

Codes/Standards

ASME A112.18.1/CSA B125.1

CSA B64

CSA B125.3

ASSE 1037

ADA

ICC/ANSI A117.1

CSA B651

OBC

All applicable US Federal and State material regulations

KOHLER® One-Year Limited Warranty

See website for detailed warranty information.

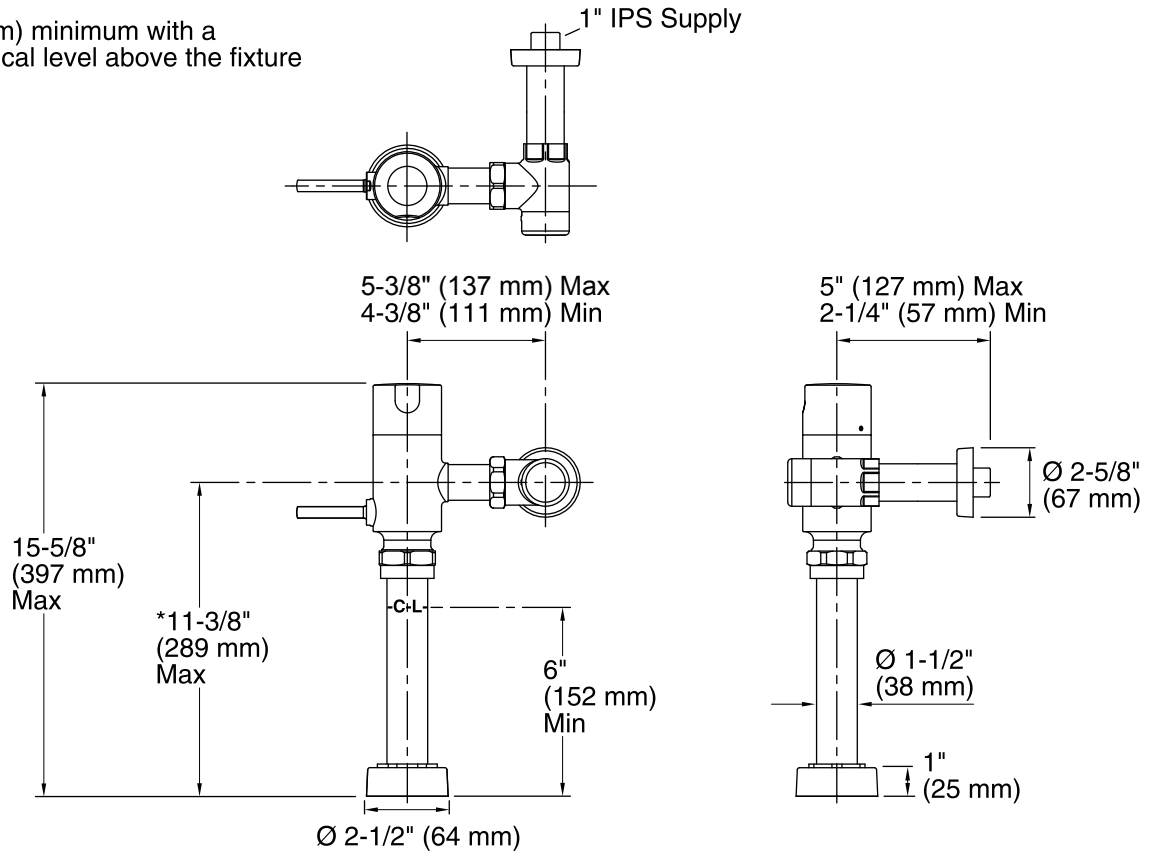
Available Color/Finishes

Color tiles intended for reference only.

Color	Code	Description
-------	------	-------------

	CP	Polished Chrome
--	----	-----------------

*10-3/4" (273 mm) minimum with a
6" (152 mm) critical level above the fixture



Technical Information

All product dimensions are nominal.

Pressure and Supply Requirements

Fixture flow rate min: 25 gpm (94.6 lpm)

Fixture pressure max 80 psi (551.6 kPa)
(static):

Notes

Install this product according to the installation guide.

ADA, OBC, CSA B651 compliant when installed to the specific requirements of these regulations.