



### Features

- Integral flange.
- Right drain.
- Integral lumbar support and armrests for comfort.
- Textured bottom surface.
- Integral apron.
- 60" (1524 mm) x 36" (914 mm) x 20" (508 mm)

### Material

- Acrylic

### Installation

- Alcove

### Recommended Accessories

K- 7161-AF Bath Drain



### Codes/Standards






CSA B45.5/IAPMO Z124  
ASTM E162  
ASTM E662  
Greenguard UL 2818 - Gold

### KOHLER® One-Year Limited Warranty

See website for detailed warranty information.

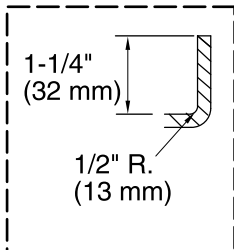
### Available Color/Finishes

*Color tiles intended for reference only.*

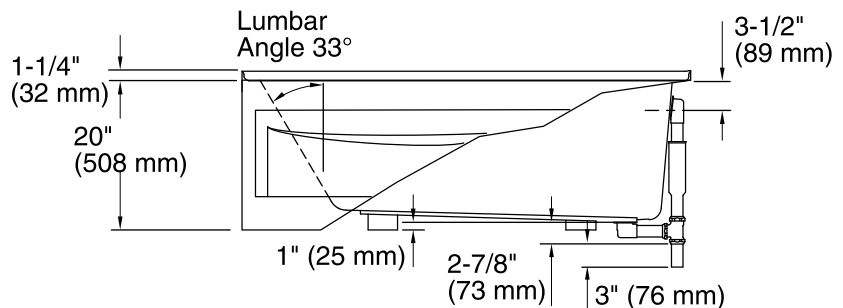
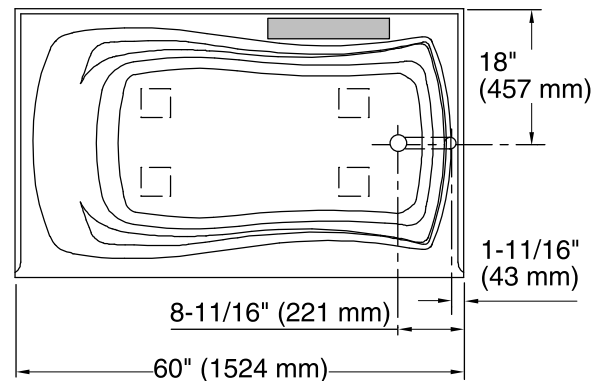
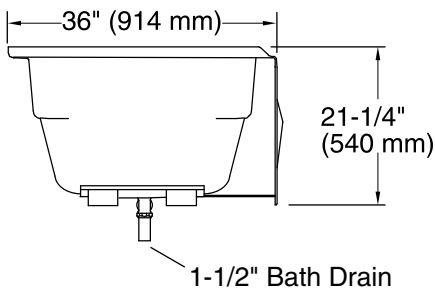
| Color  | Code | Description |
|--|------|-------------|
|  | 0    | White       |
|  | 96   | Biscuit     |
|  | 47   | Almond      |
|  | NY   | Dune        |
|  | G9   | Sandbar     |

No changes in measurements if connected with drain illustrated. (K-7161-AF)

■ Recommended Faucet Area



**Flange Detail**



### Technical Information

All product dimensions are nominal.

|                     |   |
|---------------------|---|
| Installation:       | 3-Wall Alcove                                     |
| Drain location:     | Right   |
| Basin area, bottom: | 46" x 24" (1168 mm x 610 mm)                      |
| Basin area, top:    | 54" x 27" (1372 mm x 686 mm)                      |
| Weight:             | 62 lbs (28.1 kg)                                  |
| Minimum floor load: | 41 lbs/ft <sup>2</sup> (200.2 kg/m <sup>2</sup> ) |
| Water depth:        | 14" (356 mm)                                      |
| Water capacity:     | 63 gal (238.5 L)                                  |

### Notes

Measure your actual product for rough-in details.

Install this product according to the installation instructions.

The hot water supply should be 70% of the capacity of the bath or greater. Installations will vary.

If installing a rim-mount faucet, make sure there is no interference with drain overflow before drilling any holes. Consult local and national codes for minimum air gap requirements if installing a spout on the faucet deck.