



Features

- 21" (533 mm) soaking depth.
- End drain.
- Overflows into horizontal overflow drain for maximum bathing depth.
- Coordinates with other products in the Purist® collection.
- 72" (1829 mm) x 46" (1168 mm) x 25-11/16" (652 mm)

Material

- Acrylic

Hydrotherapy

- 122 BubbleMassage™ airjets. 18 levels of massage intensity.
- Zones of Control feature allows you to target massage to back, midsection, or feet.
- Built-in 300 W heater.
- Lighted keypad control.

Installation

- Drop-in or under-mount.

Required Accessories

K-589 Under-mount Installation Kit
K-7273 Bath Drain

Recommended Accessories

K-1491 Bath/Whirlpool Pillow
K-1601 Bath/Whirlpool Footstop
K-1705 Whirlpool/BubbleMassage™ Remote Control
K-9498 3" Keypad Trim
K-24916 Wireless Music Kit



Codes/Standards




ASME A112.19.7/CSA B45.10
CSA B45.5/IAPMO Z124
ASTM E162
ASTM E662
Greenguard UL 2818 - Gold
CARB P2

KOHLER® One-Year Limited Warranty

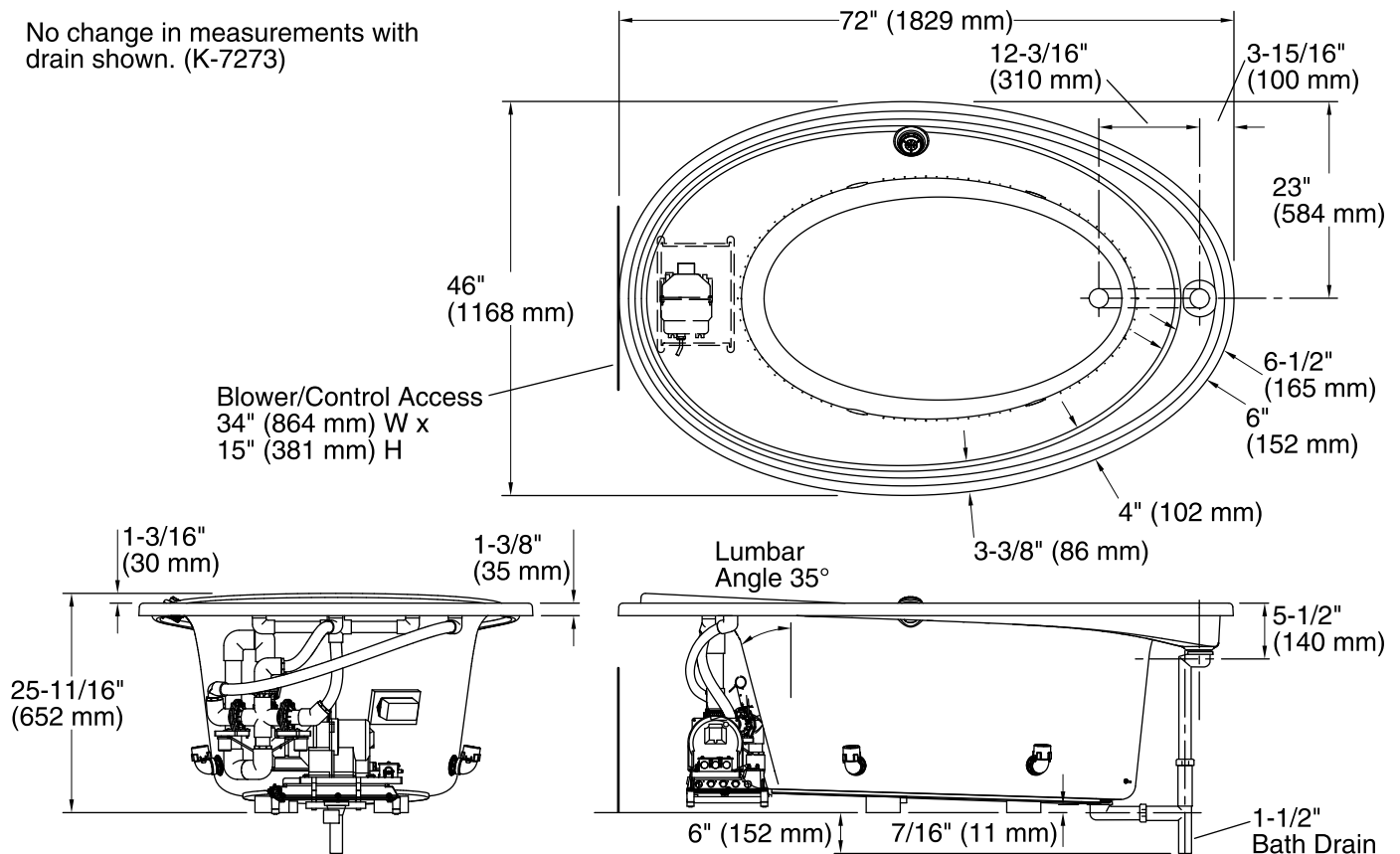
See website for detailed warranty information.

Available Color/Finishes

Color tiles intended for reference only.

Color	Code	Description
	0	White
	96	Biscuit
	47	Almond

No change in measurements with drain shown. (K-7273)



Required Electrical Service

One dedicated circuit required, protected with Class A Ground-Fault Circuit-Interrupter (GFCI) or Residual Current Device (RCD).

Blower: 220-240 V, 15 A, 50/60 Hz

Technical Information

All product dimensions are nominal.

Installation: Drop-in, Under-mount
 Drain location: End
 Basin area, bottom: 45" x 25-1/2" (1143 mm x 648 mm)
 Basin area, top: 63" x 31-1/2" (1600 mm x 800 mm)
 Weight: 134 lbs (60.8 kg)
 Minimum floor load: 49 lbs/ft² (239.2 kg/m²)
 Water depth: 21" (533 mm)
 Water capacity: 115 gal (435.3 L)
 Template: Drop-in, 1016369-7, required, included
 Electrical component rating: Blower: 220-240 V, 5 A, 50/60 Hz, 300 W
 Blower speed: Variable

Notes

Measure your actual product for rough-in details. Install this product according to the installation instructions. The hot water supply should be 70% of the capacity of the bath or greater. Installations will vary.