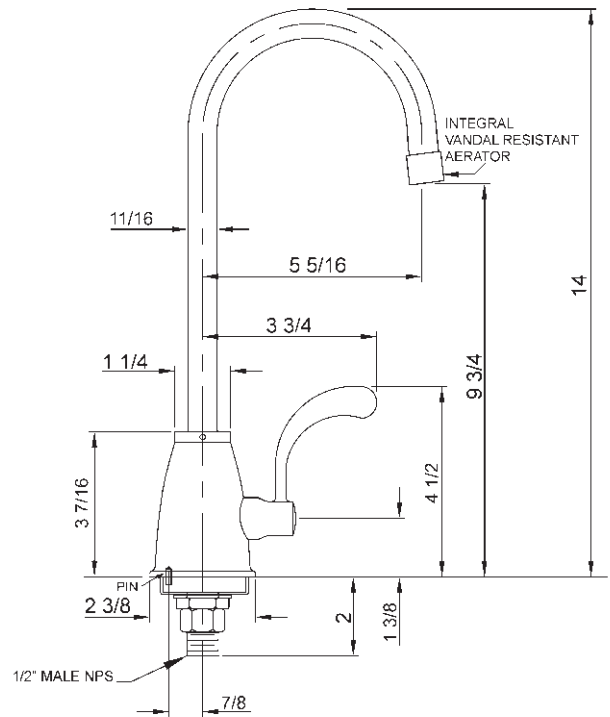




JSFVR-5
FAUCET GROUP
 STAINLESS STEEL
 VANDAL RESISTANT BUBBLER

SUBMITTAL DATA



TECHNICAL DATA
CONSTRUCTION:

- Stainless Steel body
- Stainless steel pipe spout
- Cast solid lever handle
- Ceramic disc cartridge
- Equipped with water saving aerator
- Conforms to ANSI standard 112.18.1
- NSF Certified TO NSF/ANSI 61/9-G - NSF 372
- AB1953 Certified

FINISH

Polished mirror finish

FLOW RATE

2.2 GPM flow restricting aerator

A.D.A. COMPLIANCE

Yes

VARIANTS

1.5 GPM aerator

APPROVED FOR MANUFACTURING

MODEL NO.: **JSFVR-5** QTY: _____

JOB NAME: _____

TAG/ITEM: _____

CUSTOMER: _____

SIGNATURE: _____

JUST MFG. COMPANY CONTINUES TO MAKE QUALITY AND FUNCTIONALITY A MARK OF THE JUST PRODUCT LINE. TO DO SO REQUIRES THAT WE RESERVE THE RIGHT TO CHANGE PRODUCT INFORMATION WITHOUT NOTICE. DIMENSIONS MAY VARY AND ARE SUBJECT TO CHANGE WITHOUT NOTICE. NO RESPONSIBILITY IS ASSUMED FOR USE OF SUPERCEDED OR VOIDED DATA. FOR THE MOST CURRENT AND ACCURATE INFORMATION REGARDING THE COMPLETE LINE OF JUST SINKS, FAUCETS AND DRAINS, CLICK ON THE **SPEC LINE DRAWINGS** LINK ON OUR WEB SITE AT www.justmfg.com

JUST MANUFACTURING COMPANY

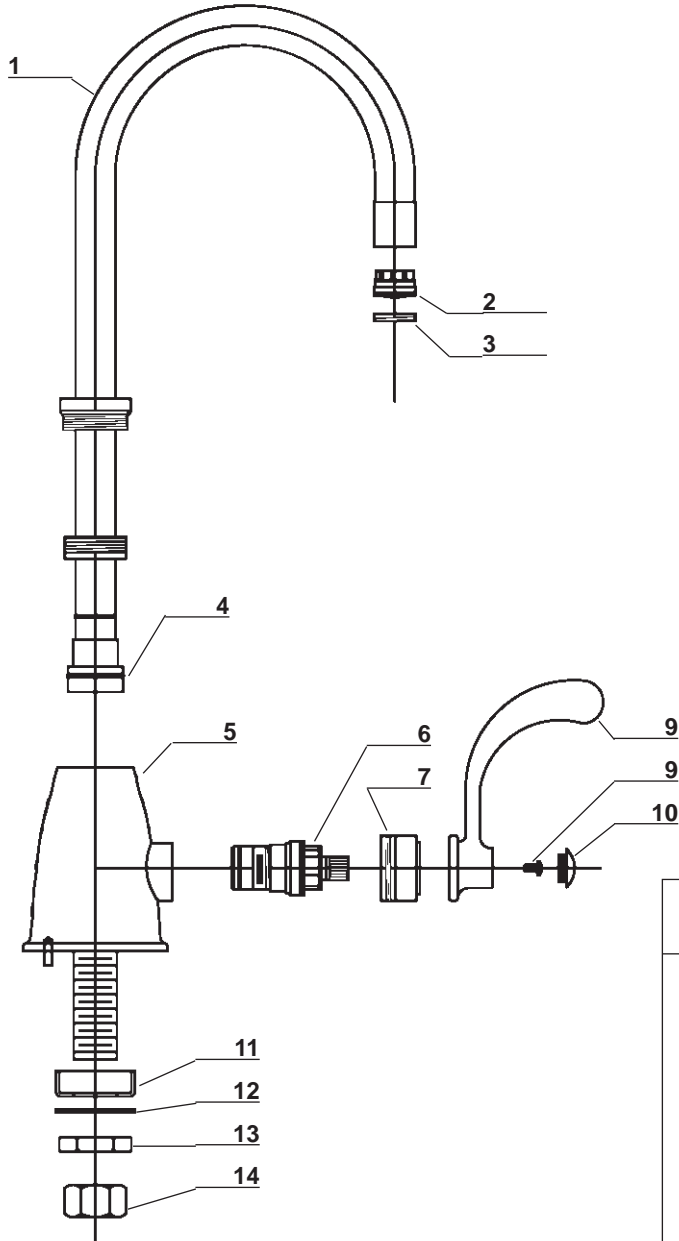
9233 KING STREET . FRANKLIN PARK . ILLINOIS . 60131-2111

PH: 847-678-5150 . FAX: 847-678-6817 . E-MAIL: custserv@justmfg.com . www.justmfg.com



JSFVR-5
FAUCET GROUP
 STAINLESS STEEL
 VANDAL RESISTANT FAUCET

PARTS DATA



Item No.	Part No.	Description
1	VSP-102	Spout Assembly
2	V-2301.1.5	Aerator 1.5 GPM
3	V-5475	Retainer
4	V-5121	O-Ring-spout base
5	V-515	Body
6	V-5450	Cartridge
7	V-5182	Retainer-cartridge
8	VH-472	Handle
9	V-5173	Screw-handle
10	V-5102	Cap-handle
11	V-7817	Cup
12	VF-7894	Washer
13	V-8283	Locknut
14	V-8479	Coupling Nut

JUST MANUFACTURING COMPANY

9233 KING STREET . FRANKLIN PARK . ILLINOIS . 60131-2111

PH: 847-678-5150 . FAX: 847-678-6817 . E-MAIL: custserv@justmfg.com . www.justmfg.com