



JPO-1700

**FAUCET GROUP**

**KITCHEN FAUCET**

**Pull-out Spray - Single Handle  
Chrome**

**SUBMITTAL DATA**

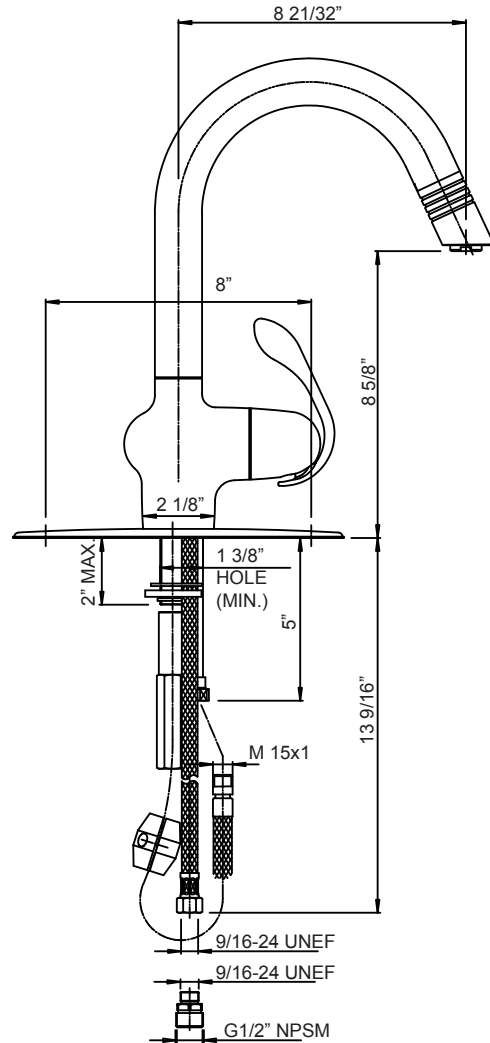


**Features:**

- PVD Polished chrome
- Pull-out spray - kitchen faucet
- Single handle
- Ceramic disc cartridge
- Quarter turn valve
- ADA Compliant lever handle
- Single hole installation
- Deck plate included .
- 2.2 GPM aerator

**Standards**

- ASME A112.18.1



|                            |                           |
|----------------------------|---------------------------|
| APPROVED FOR MANUFACTURING |                           |
| MODEL NO.:                 | JPO-1700 _____ QTY: _____ |
| JOB NAME:                  | _____                     |
| TAG/ITEM:                  | _____                     |
| CUSTOMER:                  | _____                     |
| SIGNATURE:                 | _____                     |

JUST MFG. COMPANY CONTINUES TO MAKE QUALITY AND FUNCTIONALITY A MARK OF THE JUST PRODUCT LINE. TO DO SO REQUIRES THAT WE RESERVE THE RIGHT TO CHANGE PRODUCT INFORMATION WITHOUT NOTICE. DIMENSIONS MAY VARY AND ARE SUBJECT TO CHANGE WITHOUT NOTICE. NO RESPONSIBILITY IS ASSUMED FOR USE OF SUPERCEDED OR VOIDED DATA. FOR THE MOST CURRENT AND ACCURATE INFORMATION REGARDING THE COMPLETE LINE OF JUST SINKS, FAUCETS AND DRAINS, CLICK ON THE **SPEC LINE DRAWINGS** LINK ON OUR WEB SITE AT [www.justmfg.com](http://www.justmfg.com)

**JUST MANUFACTURING COMPANY**

9233 KING STREET . FRANKLIN PARK . ILLINOIS . 60131-2111

PH: 847-678-5150 . FAX: 847-678-6817 . E-MAIL: [custserv@justmfg.com](mailto:custserv@justmfg.com) . [www.justmfg.com](http://www.justmfg.com)