



J-770-3-S

INSTITUTIONAL GROUP

SURGEON'S SCRUB SINK

SUBMITTAL DATA



SPECIFICATION

Seamless welded construction of 16 gauge type 304 stainless steel. Interior surfaces polished to a Hand-Blended Just Finish. Exposed exterior surfaces to have a standard brush finish. Underside of compartment to be sound deadened. Rear integral support brackets and 14 gauge stainless steel wall clips. Drain punched for Just J-35-SSF drain.

INCLUDES:

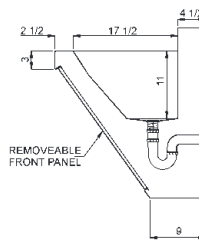
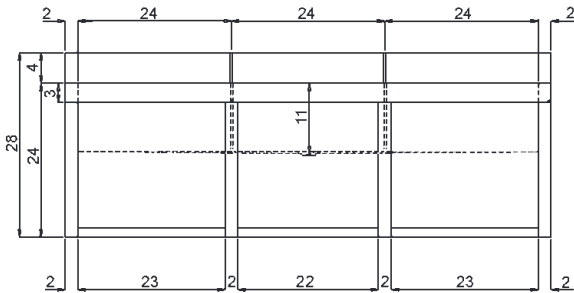
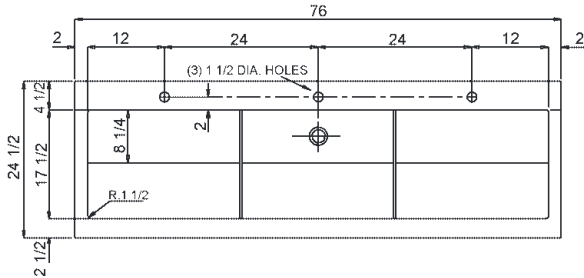
(3) JSGN-8 sensor operated faucet with laminar flow control, user adjustable temperature control and manual override; (1) JTMLF-47 thermostatic mixing valve; (1) J-35-SSF stainless steel flat grid strainer; (1) JT-150 cast brass P-trap; (2) removeable acrylic partition.



U.P. Code
ASME A112.19.3/CSA B45.4

Sink certified to ASME A112.19.3/CSA B45.4; Uniform Plumbing Code (UPC); International Plumbing Code (IPC), by NSF International. Certified less fittings.

Faucet low lead certified to NSF 372; Thermostatic mixing valve low lead certified to NSF 372.



FAUCET - Must be specified	
JSGN-8-AC	- w/plug-in power adapter
JSGN-8-B	- w/battery holder

OPTIONAL
Rose Spray
(check if required)

TIMER OPTION	
-DT	Digital timer display. Automatically starts timing with water flow. Stop and auto reset when water stops. Factory installed with JSGN-6 only
-DTC	Digital timer display with timed cycle. Automatically starts timing with water flow. Stops and auto reset when water stops. Timed cycle allows user to select preset cycle time. Factory installed with JSGN-6 faucet only.

APPROVED FOR MANUFACTURING

MODEL NO.: **J-770-3-S** QTY: _____

JOB NAME: _____

TAG/ITEM: _____

CUSTOMER: _____

SIGNATURE: _____



JUST MFG. COMPANY CONTINUES TO MAKE QUALITY AND FUNCTIONALITY A MARK OF THE JUST PRODUCT LINE. WE RESERVE THE RIGHT TO CHANGE PRODUCT INFORMATION WITHOUT NOTICE. DIMENSIONS MAY CHANGE AND MAY BE SUBJECT TO CHANGE WITHOUT NOTICE. NO RESPONSIBILITY IS ASSUMED FOR USE OF SUPERCEDED OR VOIDED DATA. JUST MFG. CO. SINKS ARE MADE IN THE U.S.A. WHEN COMPARING OTHER BRAND PRODUCTS, BE SURE TO COMPARE USA QUALITY ALONG WITH FEATURES AND DIMENSIONS.

JUST MANUFACTURING COMPANY 9233 KING STREET . FRANKLIN PARK . ILLINOIS . 60131-2111

PH: 847-678-5150 FAX: 847-678-6817 E-MAIL: custserv@justmfg.com www.justmfg.com

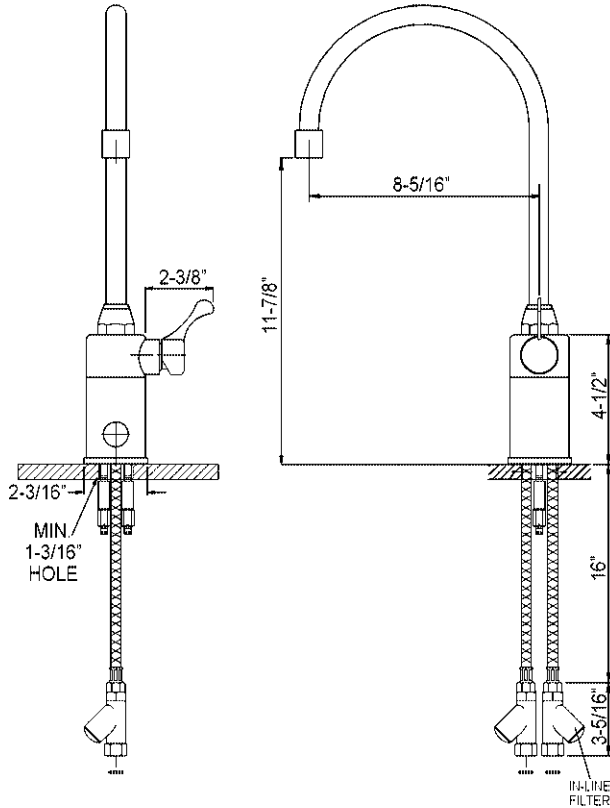


J-770-3-S

INSTITUTIONAL GROUP

SURGEON'S SCRUB SINK

SUBMITTAL DATA



JSGN-8-AC

Sensor-operated deck mount gooseneck faucet with user adjustable temperature control. Lead-Free, chrome plated solid brass construction. Chrome plated spout 11-7/8" from base to aerator with 8-3/8" reach. 2.0 GPM laminar flow control. Manual override on base.



AC powered vandal resistant with armored control/power cable. Power adapter, standard plug-in type provides 12V DC output. Slow closing solenoid valve, piston-operated, provides reliable smooth operation without water hammer. In-line filter with clean-out trap. Sensor self-adapting. Automatic 30-second time out feature.

Battery powered unit available. Specification same as above except provides 6V DC and includes battery holder for four AA batteries (included) in lieu of plug-in power adapter. Low lead certified to NSF 372.

JTM-47LF - Thermostatic Mixing Valve

Anti-Scald mixing valve with bronze body, integral check valves and adjustment cap with locking feature. 1/2" sweat union inlet and outlet connections. Temperature range from 60 to 120 F (16 C to 49 C). ASE Standard 1016 listed, 1070 listed. certified to NSF 372.

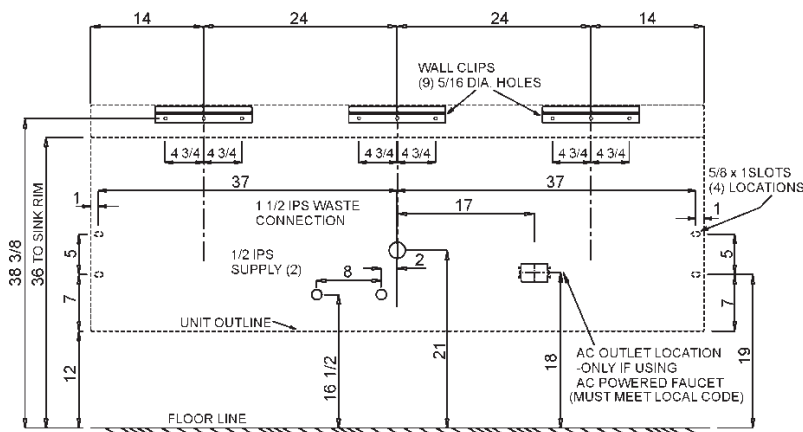
Low lead

JT-150 P-Trap

Chrome plated cast brass 1-1/2" P-trap with cleanout. Drain pipe of 17 ga. chrome plated brass.

J-35-SSF Drain

Type 304 stainless steel drain body, stainless steel flat grid strainer and 1-1/2" O.D. stainless steel tailpiece 4" long.



AC OUTLET MUST BE INSTALLED ACCORDING TO LOCAL CODES. INSTALLATION CONTRACTOR RESPONSIBLE FOR COMPLIANCE WITH THOSE CODES.

JUST MFG. COMPANY CONTINUES TO MAKE QUALITY AND FUNCTIONALITY A MARK OF THE JUST PRODUCT LINE. WE RESERVE THE RIGHT TO CHANGE PRODUCT INFORMATION WITHOUT NOTICE. DIMENSIONS MAY CHANGE AND MAY BE SUBJECT TO CHANGE WITHOUT NOTICE. NO RESPONSIBILITY IS ASSUMED FOR USE OF SUPERCEDED OR VOIDED DATA. JUST MFG. CO. SINKS ARE MADE IN THE U.S.A. WHEN COMPARING OTHER BRAND PRODUCTS, BE SURE TO COMPARE USA QUALITY ALONG WITH FEATURES AND DIMENSIONS.

OPTIONAL



-DI Digital timer automatically starts with faucet activation. Display stops and resets when water flow stops. Easy to read LCD display. Display battery operated with near 10-year battery life. Soft display backlight available with low voltage AC adapter. Available only as factory installed option with JSGN-6 sensor faucet.



-DTC Digital timer automatically starts with faucet activation. Display stops and resets when water flow stops. Timed cycle allows selection of pre-programmed scrub time of 3, 5 or 10 minutes. Easy to read LCD display. Display battery operated with near 10-year battery life. Soft display backlight. Low voltage. Available only as factory installed option with JSGN-6 sensor faucet.

JUST MANUFACTURING COMPANY

9233 KING STREET . FRANKLIN PARK . ILLINOIS . 60131-2111

PH: 847-678-5150 . FAX: 847-678-6817 . E-MAIL: custserv@justmfg.com . www.justmfg.com