

SPECIFICATION:

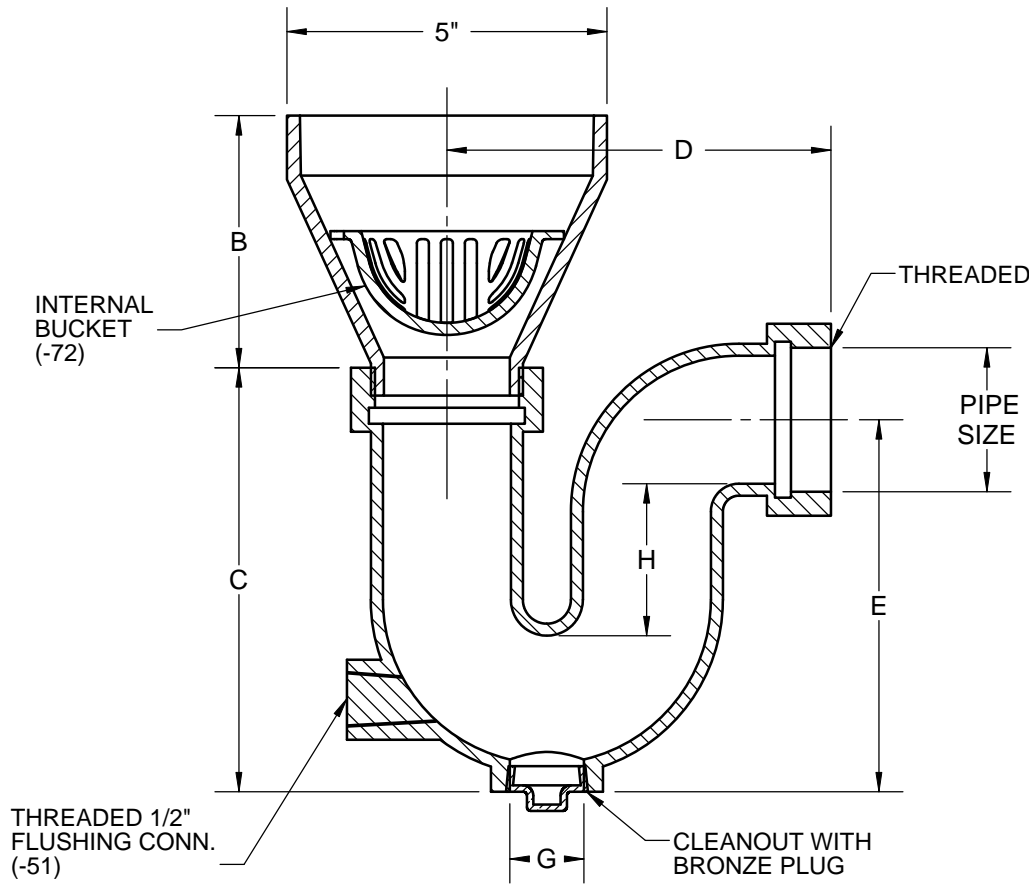
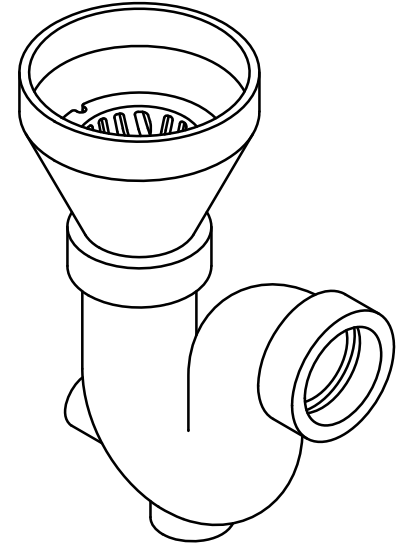
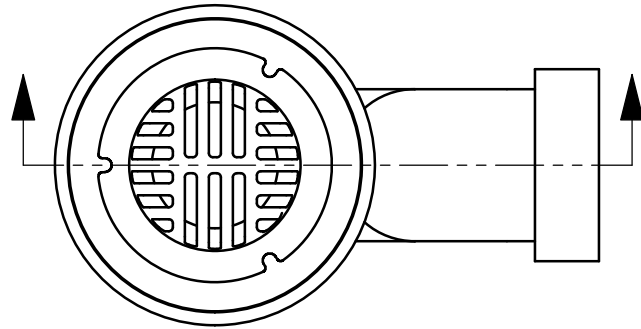
JOSAM 88210 SERIES COATED CAST IRON DEEP SEAL 'P' TRAP WITH INDIRECT WASTE FUNNEL INLET AND THREADED SIDE OUTLET CONNECTION.

TRAPS & ACCESSORIES

DEEP SEAL TRAP, FUNNEL INLET

SERIES

88210



OPTIONS:

-8	ALL BRONZE
-51	1/2" FLUSHING CONN.
-72	BRONZE BUCKET

NOTE:
SUBJECT TO CODE REQUIREMENTS, A VACUUM BREAKER MAY NEED TO BE INSTALLED WHEN -51 OPTION IS SPECIFIED

PIPE SIZE	B	C	D	E	G	H
2"	4	6-5/8	6	5-3/4	1	2-3/8
3"	5	8-1/2	8-1/4	8	2	3-1/4

DATE OF LAST CHANGE: 10/27/10

DIMENSIONS ARE SUBJECT TO MANUFACTURERS TOLERANCES AND CHANGE WITHOUT NOTICE. WE CAN ASSUME NO RESPONSIBILITY FOR USE OF SUPERSEDED OR VOID DATA.

JOSAM COMPANY
MICHIGAN CITY, INDIANA

NOTES