

**SPECIFICATION:**

JOSAM SERIES 71300 CHROME-PLATED HYDRANT/SILL-COCK, STAINLESS STEEL BOX, HINGED LATCHING COVER, 3/4" HPT OUTLET, INTEGRAL BACK FLOW PREVENTER, AND 1/2" OR 3/4" INLET CONNECTION.

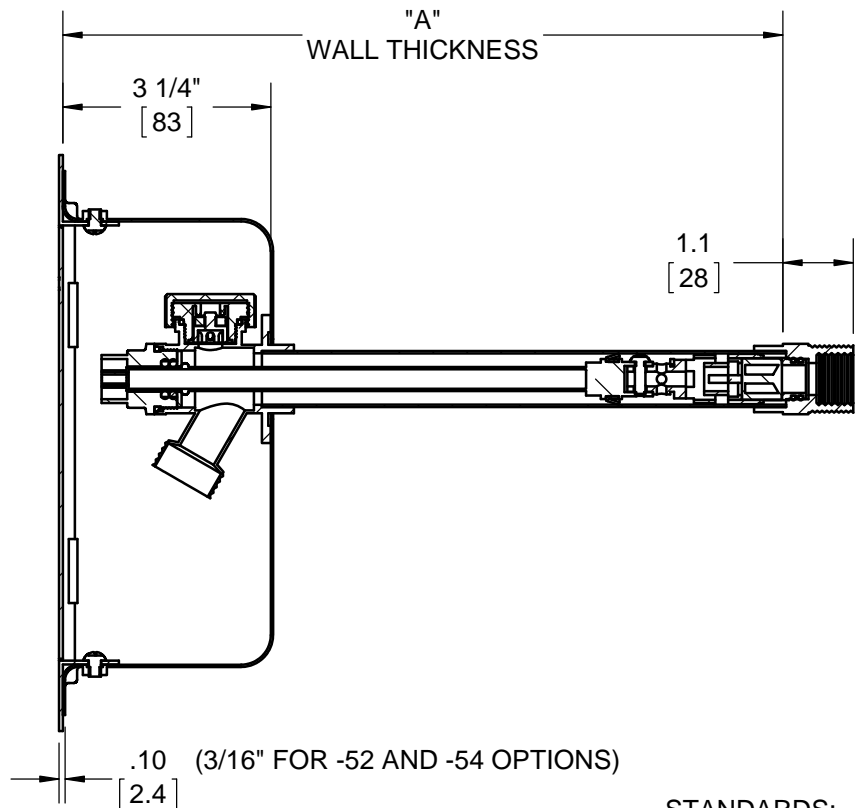
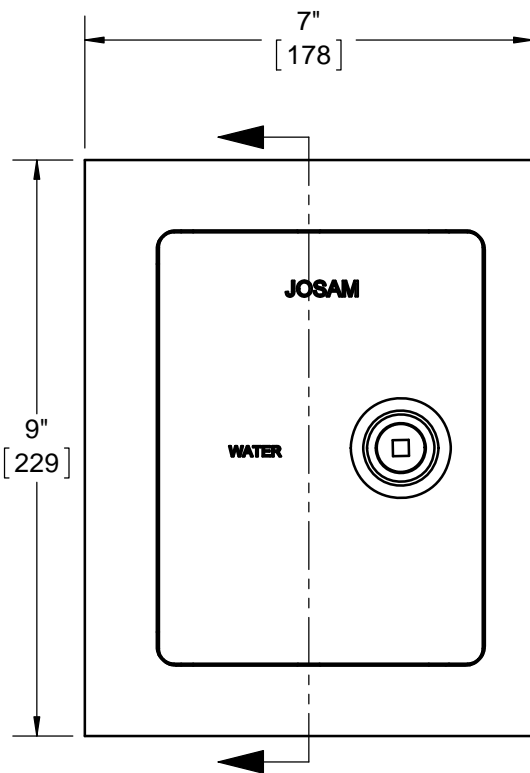
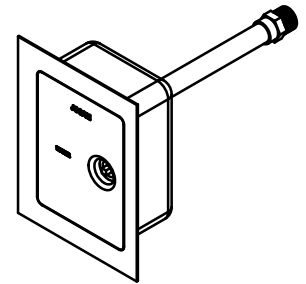
**HYDRANT  
1/4 TURN WITH BOX**

SERIES

**71300**

**HYDRANT APPROVED TO NSF/ANSI 61 FOR USE IN POTABLE WATER SYSTEMS.**

RECOMMENDED MIN. WALL OPENING: 5-1/2" X 7-3/4"



STANDARDS:  
NSF/ANSI 61  
NSF/ANSI 372  
ASSE 1019  
ASME A112.18.1

MODEL	A
71300-6-QTR	6-1/4 [159]
71300-7-QTR	7-1/4 [184]
71300-9-QTR	9-1/4 [235]
71300-11-QTR	11-1/4 [286]
71300-13-QTR	13-1/4 [337]
71300-15-QTR	15-1/4 [387]
71300-17-QTR	17-1/4 [438]

OPTIONS:

-52	CAST SATIN FINISH BR FACE
-54	CAST SATIN FINISH NIKALOY FACE
-72	WALL CLAMP
-81	HOSE BIBB VACUUM BREAKER
-91	1" HOSE PIPE THREADED OUTLET
-95	CYLINDER SECURED LOCK

-81 AND -91 CANNOT BE ORDERED TOGETHER

DATE OF LAST CHANGE: 10/30/14

DIMENSIONS ARE SUBJECT TO MANUFACTURERS TOLERANCES AND CHANGE WITHOUT NOTICE. WE CAN ASSUME NO RESPONSIBILITY FOR USE OF SUPERSEDED OR VOID DATA.

**JOSAM COMPANY**  
MICHIGAN CITY, INDIANA

NOTES