

67500 SERIES HUB & SPIGOT, SWING-CHECK TYPE

APPLICATION

For use in main or branch drain lines to protect basements and lower areas from sewer back up. Flapper type backwater valve provides continuous protection against sewage backflow into building.

SPECIFICATION

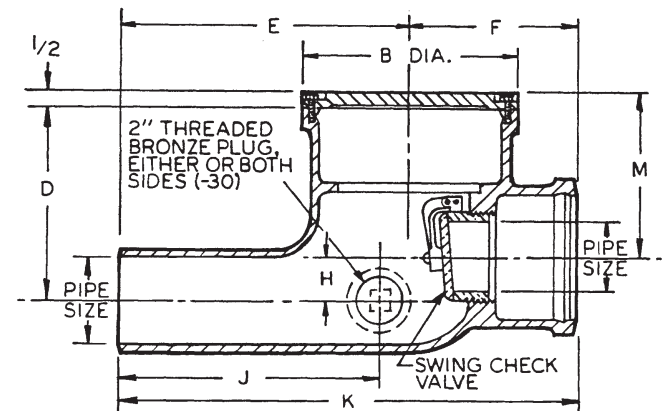
JOSAM 67500 Series coated cast iron Backwater Valve, offset type, bronze swing-check assembly, bolted gasketed cover and hub and spigot connections.

Available Options

- * -10 Threaded Bronze Cover 3"-8"
- 15 Open Flap
- 30 2" Auxiliary Inlet with Bronze Plug

* For extension, use -10 option with hub and spigot extension pipe by others.

BOLTED COVER, OFFSET TYPE



NOTE: SWING-CHECK VALVE NORMALLY HANGS IN CLOSED POSITION, BUT CAN BE SET TO HANG OPEN.

TYPE NO.	PIPE SIZE	B	D	E	F	H	J	K	M	LBS.
67502	2	6-7/8	6-1/4	7	5	1-1/2	6-1/2	12	5-1/4	25
67503	3	7-7/8	7-1/2	10	5-3/4	1-1/4	9	15-3/4	6-3/4	30
67504	4	9	8-1/8	10-3/4	6-3/8	1-1/2	9	17-1/8	7-1/4	40
67506	6	11-1/4	10	11-3/4	7-3/4	1-3/4	10-3/4	19-1/2	8-3/4	65
67508	8	13-3/4	11-3/4	12-1/2	7-3/4	2-1/4	11	20-1/4	10	79

67600 SERIES HUB & SPIGOT, SWING-CHECK TYPE

APPLICATION

For use in main or branch drain lines to protect basements and lower areas from sewer back up. Flapper type backwater valve provides continuous protection against sewage backflow into building.

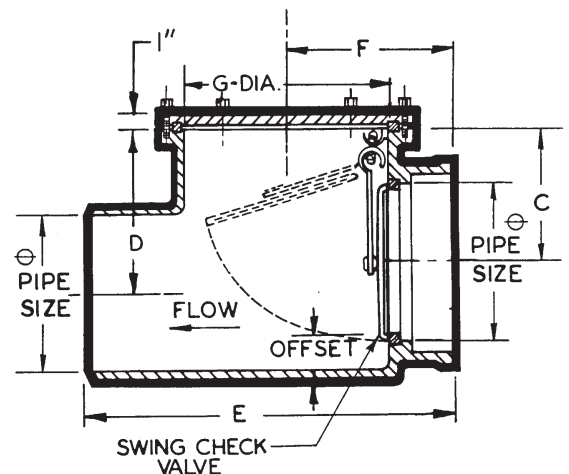
SPECIFICATION

JOSAM 67600 Series coated cast iron Backwater Valve, offset type, bronze swing-check assembly, bolted gasketed cover and hub and spigot connections.

Available Option

- 15 Open Flap

BOLTED COVER, OFFSET TYPE



NOTE: SWING-CHECK VALVE NORMALLY HANGS IN CLOSED POSITION, BUT CAN BE SET TO HANG OPEN.

⊖ HUB AND SPIGOT DIM. ARE IN ACCORDANCE WITH E.H.C.I. SOIL PIPE STANDARDS.

TYPE NO.	PIPE SIZE	OFFSET	C	D	E	F	G	LBS.
67610	10	2	8-1/2	10-1/2	23	10-1/2	13	216
67612	12	2	9-1/4	11-1/4	25-3/4	12	15	277