

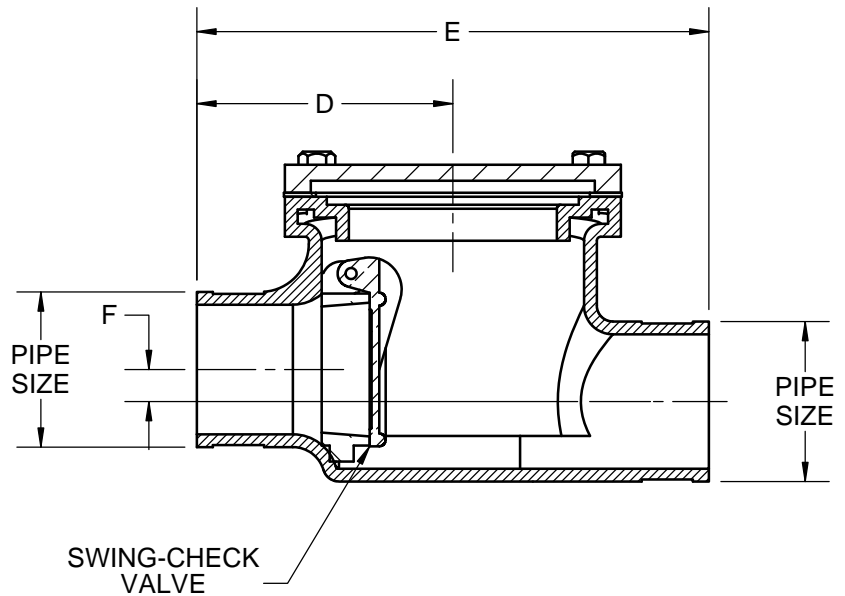
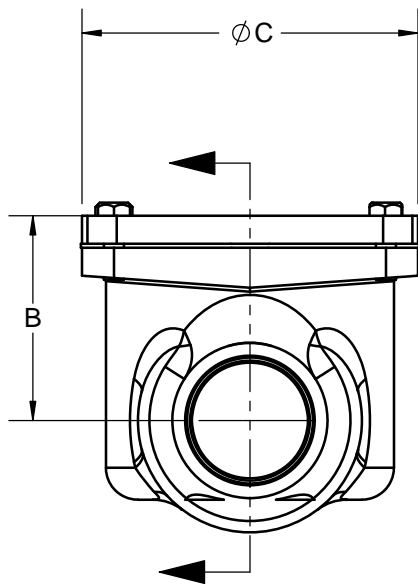
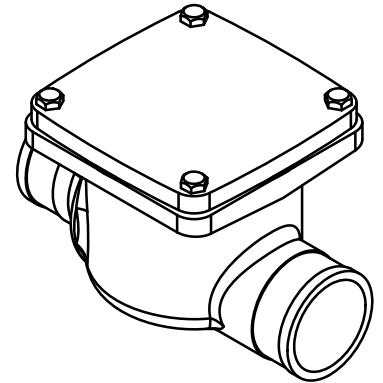
SPECIFICATION:

JOSAM 67400 SERIES COATED CAST IRON BACKWATER VALVE, OFFSET TYPE, BRONZE FIXED SWING-CHECK ASSEMBLY, BOLTED GASKETED COVER AND NO-HUB CONNECTIONS.

**BACKWATER VALVE
NO-HUB SWING-CHECK**

SERIES **67400**

BOLTED COVER,
OFFSET TYPE



PIPE SIZE	B	C	D	E	F
2"	3-5/8	5-1/4	4	8	1/2
3"	4	6	5	10	1/2
4"	4-3/4	7	6	12	1/2
6"	5-3/4	9	6	12	5/8

DATE OF LAST CHANGE: 04/18/15

DIMENSIONS ARE SUBJECT TO MANUFACTURERS TOLERANCES AND CHANGE WITHOUT NOTICE. WE CAN ASSUME NO RESPONSIBILITY FOR USE OF SUPERSEDED OR VOID DATA.

JOSAM COMPANY
MICHIGAN CITY, INDIANA

NOTES