

SPECIFICATION:

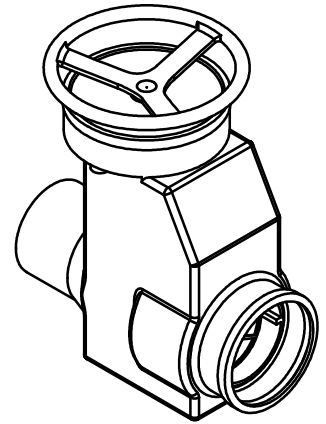
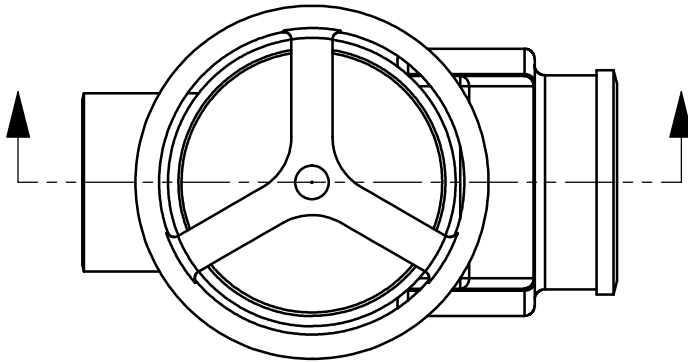
JOSAM 67360 SERIES COATED CAST IRON COMBINATION BACKWATER VALVE, STRAIGHT-THROUGH TYPE, BRONZE SWING-CHECK ASSEMBLY, BRONZE MANUALLY OPERATED SHEAR-GATE WITH NON-RISING STEM AND HUB & SPIGOT CONNECTIONS.

BACKWATER VALVE

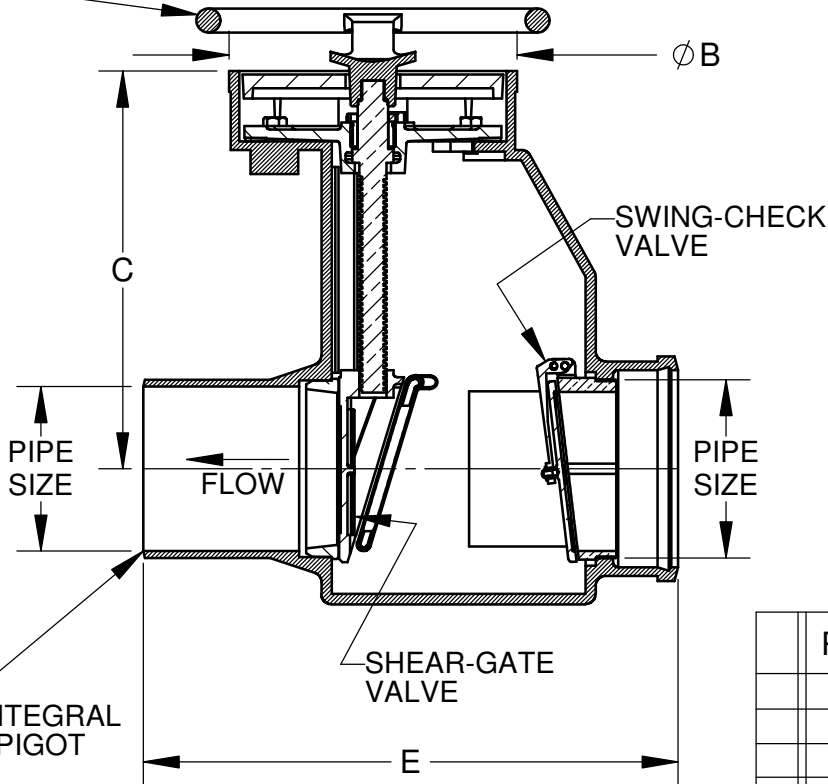
SHEAR-GATE & SWING-CHECK

SERIES

67360



REMOVABLE HAND WHEEL



STRAIGHT-THROUGH TYPE FOR EXISTING INSTALLATIONS.

NOTE: SWING-CHECK VALVE NORMALLY HANGS IN CLOSED POSITION BUT CAN BE SET TO HANG OPEN BY SPECIFYING (-15) OPEN FLAP OPTION.

	PIPE SIZE	B	C	E
	3"	8	12	17-1/2
	4"	8	12	17-1/2
	5"	10-1/2	14-1/2	19-1/2
	6"	10-1/2	14-1/2	19-1/2

Δ	-DH	DOUBLE HUB
	-15	OPEN FLAP
	-28	12" CAST IRON EXTENSION AND STEM
	-29	24" CAST IRON EXTENSION AND STEM

Δ SEPARATE SUBMITTAL FOR THIS OPTION AVAILABLE

DATE OF LAST CHANGE: 4/7/14

DIMENSIONS ARE SUBJECT TO MANUFACTURERS TOLERANCES AND CHANGE WITHOUT NOTICE. WE CAN ASSUME NO RESPONSIBILITY FOR USE OF SUPERSEDED OR VOID DATA.

JOSAM COMPANY
MICHIGAN CITY, INDIANA

NOTES