

SPECIFICATION:

JOSAM SERIES 49720 RECTANGULAR CAST IRON 6-1/2" DEEP SUPER-FLO-SEPTOR® FLOOR SINK WITH ACID RESISTING INTERIOR, DOUBLE DRAINAGE FLANGE WITH WEEPHOLES, BOTTOM OUTLET, ALUMINUM INTERNAL SECONDARY STRAINER, CAST IRON, NON-TRAFFIC, ACID-RESISTING GRATE.

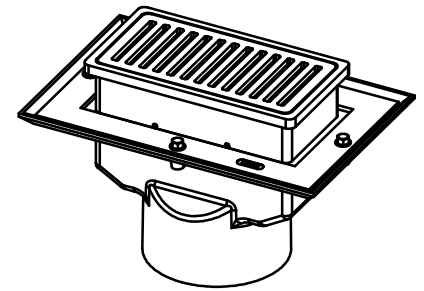
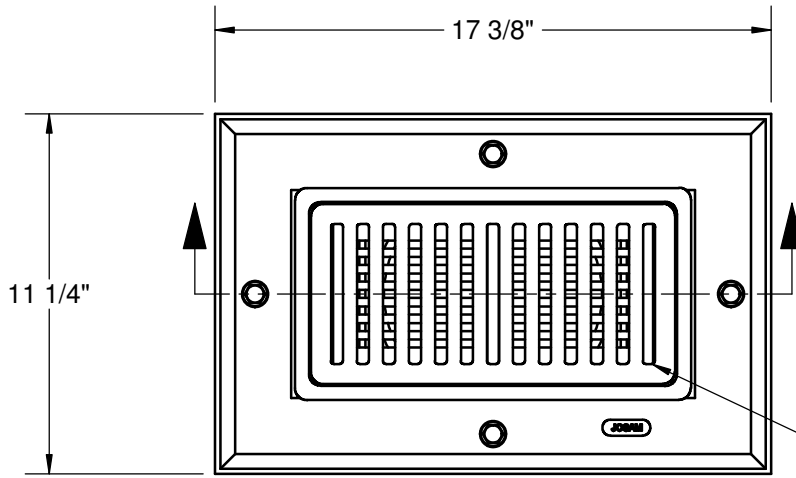
SANITARY FLOOR SINK

6" x 12" RECTANGULAR TOP,
6-1/2" DEEP

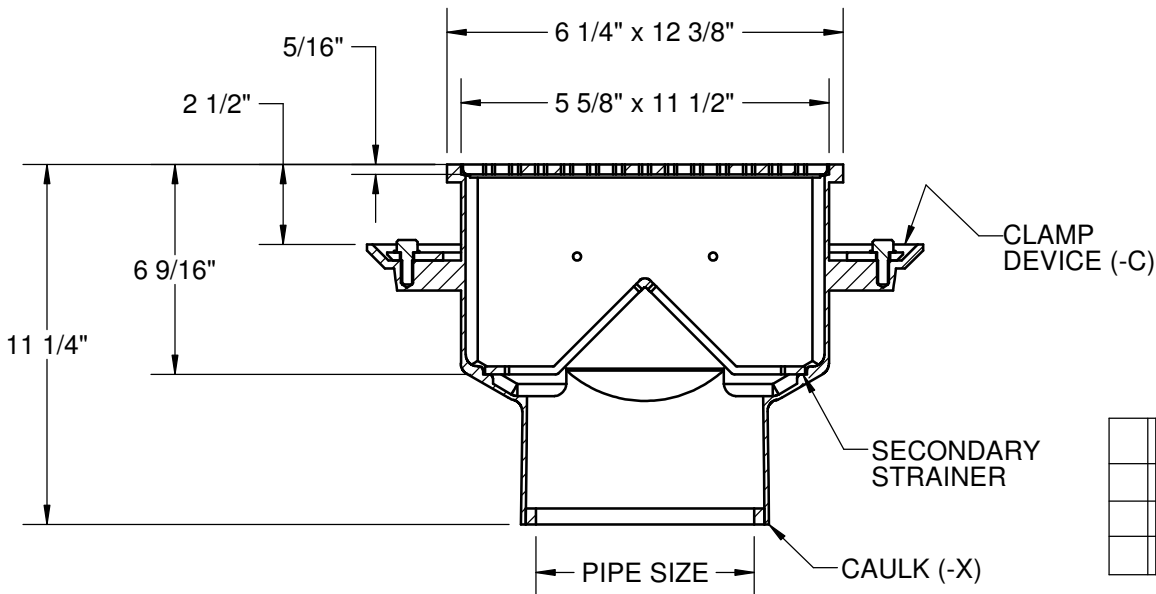
SERIES

49720

SLOT WIDTH 3/8"



GRATE FREE AREA 22 SQ. IN.



PIPE SIZE	
<input type="checkbox"/>	3"
<input type="checkbox"/>	4"
<input type="checkbox"/>	6"

Δ	-LF	LESS FLANGE
Δ	-NB	NICKEL BRONZE TRAFFIC TOP
	-LG	LESS GRATE
	-3	HALF (1/2) GRATE
	-4	THREE-QUARTER (3/4) GRATE
	-7	FULL GRATE WITH 2-1/2" CENTER OPENING
	-8	STAINLESS STEEL DEPRESSED GRATE
	-16	GRATE WITH 4" ROUND FUNNEL
	-18	GRATE WITH 9" x 3-1/2" OVAL FUNNEL

	-30	STAINLESS STEEL SEDIMENT BUCKET
	-43	INTERNAL SECONDARY STRAINER, ACID RESISTANT FINISH
	-45	LESS INTERNAL SECONDARY STRAINER
	-51	GALV. CAST IRON, INSIDE AND OUTSIDE (NO ARE)
	-52	PAINTED, INSIDE AND OUTSIDE (NO ARE)
	-55	1/2" PRIMER TAP (6"), ADAPTER 88450 PROVIDED (3"-4")
	-C	CLAMP DEVICE
	-X	INSIDE CAULK OUTLET

Δ SEPARATE SUBMITTAL FOR THIS OPTION AVAILABLE

DATE OF LAST CHANGE: 2/27/15

DIMENSIONS ARE SUBJECT TO MANUFACTURERS TOLERANCES AND CHANGE WITHOUT NOTICE. WE CAN ASSUME NO RESPONSIBILITY FOR USE OF SUPERSEDED OR VOID DATA.

JOSAM COMPANY
MICHIGAN CITY, INDIANA

NOTES