

SPECIFICATION:

JOSAM 49320A-LF SERIES SQUARE CAST IRON 5-7/8" DEEP SUPER-FLO-SEPTOR® FLOOR SINK WITH ACID RESISTING INTERIOR, BOTTOM OUTLET, ALUMINUM INTERNAL DOME STRAINER AND CAST IRON NON-TRAFFIC, ACID RESISTING, ANTI-TILTING GRATE.

SANITARY FLOOR SINK

12" SQUARE TOP, 6" DEEP

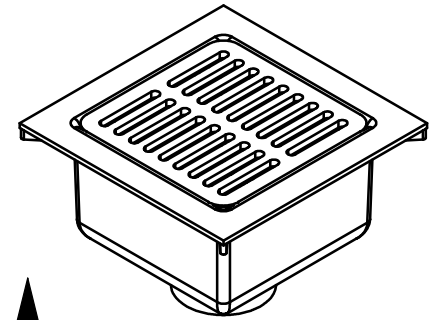
SERIES **49320A-LF**

SLOT WIDTH 3/8"

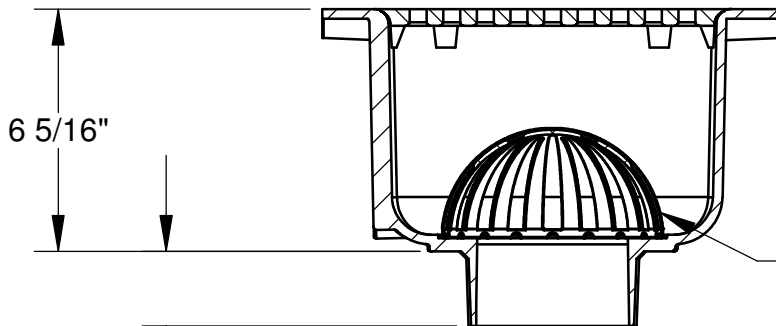
8 15/16 SQ.

FORMELY 49330A SERIES

12" SQ.



GRATE FREE AREA 26 SQ. IN.



DOMESTRAINER

PIPE SIZE

PIPE SIZE
2"
3"
4"
6"

X (2" - 3") = 2-1/2"

X (4") = 2-3/4"

Y (2" - 4") = 2"

Z (2" - 4") = 2-1/16"

Δ	X	DESCRIPTION
	-LF	LESS FLANGE
	-NB	NICKEL BRONZE TRAFFIC TOP
	-LG	LESS GRATE
	-3	HALF (1/2) GRATE
	-4	THREE-QUARTER (3/4) GRATE
	-5	NIK. EXTRA HVY-DUTY GRATE & RIM (NOT SUPER-FLO)
	-7	FULL GRATE WITH 2-1/2" CENTER OPENING
	-8	STAINLESS STEEL DEPRESSED GRATE
	-15	STAINLESS STEEL RIM & GRATE
	-16	GRATE WITH 4" ROUND FUNNEL
	-17	GRATE WITH 6" ROUND FUNNEL

	-18	GRATE WITH 9" x 3-1/2" OVAL FUNNEL
	-31	SEDIMENT BUCKET, ALUMINUM
	-33	SEDIMENT BUCKET, ACID RESISTANT FINISH
*	-35	BUCKET LINER (STAINLESS STEEL MESH)
	-43	INTERNAL DOME STRAINER, ACID RESISTANT FINISH
	-45	LESS INTERNAL DOME STRAINER
	-52	PAINT INSIDE AND OUTSIDE
	-55	1/2" PRIMER TAP (6") ADAPTER, 88450 PROVIDED (2"-4")
	-X	INSIDE CAULK OUTLET
	-Y	HUB OUTLET WITH GASKET (2"-4")
	-Z	NO-HUB OUTLET

Δ SEPARATE SUBMITTAL FOR THIS OPTION AVAILABLE

*MUST ALSO SPECIFY -31 OR -33 OPTION

DATE OF LAST CHANGE: 2/27/15

DIMENSIONS ARE SUBJECT TO MANUFACTURERS TOLERANCES AND CHANGE WITHOUT NOTICE. WE CAN ASSUME NO RESPONSIBILITY FOR USE OF SUPERSEDED OR VOID DATA.

JOSAM COMPANY
MICHIGAN CITY, INDIANA

NOTES