

SPECIFICATION:

JOSAM 49320A-LF-NB SERIES SQUARE CAST IRON 6-1/4" DEEP SUPER-FLO-SEPTOR® FLOOR SINK WITH ACID RESISTING INTERIOR, BOTTOM OUTLET, ALUMINUM INTERNAL DOME STRAINER, NIKALOY SANITARY SLOPED RIM AND NIKALOY LIGHT-DUTY SUPER-FLO®, ANTI-TILTING GRATE.

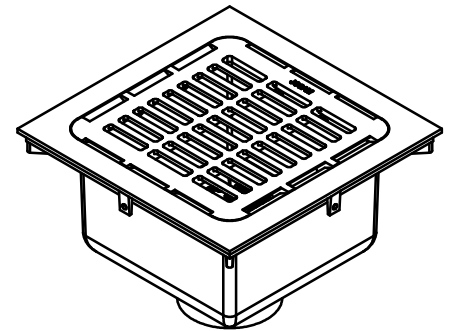
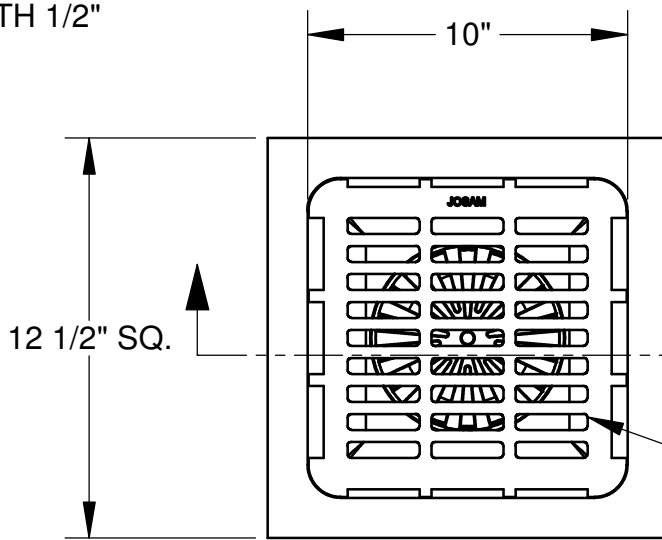
SANITARY FLOOR SINK

12" SQUARE TOP, 6" DEEP

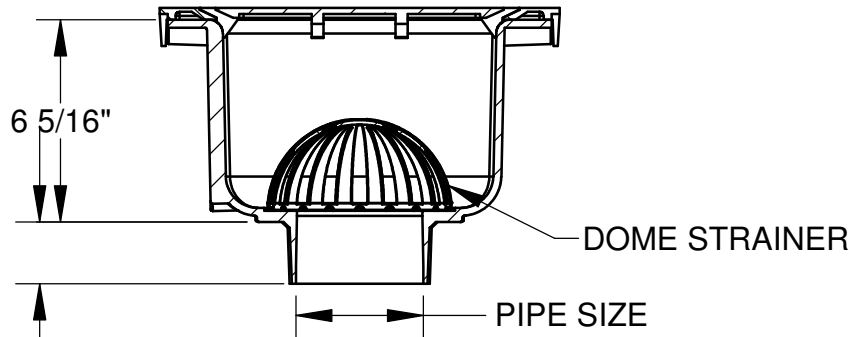
SERIES **49320A-LF-NB**

SLOT WIDTH 1/2"

FORMERLY 49030AS SERIES



GRATE FREE AREA 35 SQ. IN.



	PIPE SIZE
	2"
	3"
	4"
	6"

- X (2" - 3") = 2-1/2"
- X (4") = 2-3/4"
- Y (2" - 4") = 2"
- Z (2" - 4") = 2-1/16"

X	-LF	LESS FLANGE
X	-NB	NICKEL BRONZE TRAFFIC TOP
	-LG	LESS GRATE
	-3	HALF (1/2) GRATE
	-4	THREE-QUARTER (3/4) GRATE
	-5	NIK. EXTRA HVY-DUTY GRATE & RIM (NOT SUPER-FLO)
	-7	FULL GRATE WITH 2-1/2" CENTER OPENING
	-8	STAINLESS STEEL, DEPRESSED GRATE
	-VP	SECURED GRATE, VANDAL-PROOF SCREWS
	-15	STAINLESS STEEL RIM & GRATE
	-16	GRATE WITH 4" ROUND FUNNEL
	-17	GRATE WITH 6" ROUND FUNNEL
	-18	GRATE WITH 9" x 3-1/2" OVAL FUNNEL

	-20	SOLID NIKALOY COVER
	-24	CHAINED GRATE
	-31	SEDIMENT BUCKET, ALUMINUM
	-33	SEDIMENT BUCKET, ACID RESISTANT FINISH
*	-35	BUCKET LINER (STAINLESS STEEL MESH)
	-43	INTERNAL DOME STRAINER, ACID RESISTANT FINISH
	-45	LESS INTERNAL DONE STRAINER
	-55	1/2" PRIMER TAP (6") ADAPTER, 88450 PROVIDED (2"-4")
	-X	INSIDE CAULK OUTLET
	-Y	HUB OUTLET WITH GASKET (2"-4")
	-Z	NO-HUB OUTLET

*MUST ALSO SPECIFY -31 OR -33 OPTION

DATE OF LAST CHANGE: 4/28/14

DIMENSIONS ARE SUBJECT TO MANUFACTURERS TOLERANCES AND CHANGE WITHOUT NOTICE. WE CAN ASSUME NO RESPONSIBILITY FOR USE OF SUPERSEDED OR VOID DATA.

JOSAM COMPANY
MICHIGAN CITY, INDIANA

NOTES