

**SPECIFICATION:**

JOSAM 49300-LF SERIES SQUARE CAST IRON 6" DEEP SUPER-FLO-SEPTOR® FLOOR SINK WITH ACID RESISTING INTERIOR, BOTTOM OUTLET, ALUMINUM INTERNAL DOME STRAINER AND CAST IRON NON-TRAFFIC, ACID-RESISTING, ANTI-TILTING, SUPER-FLO® GRATE.

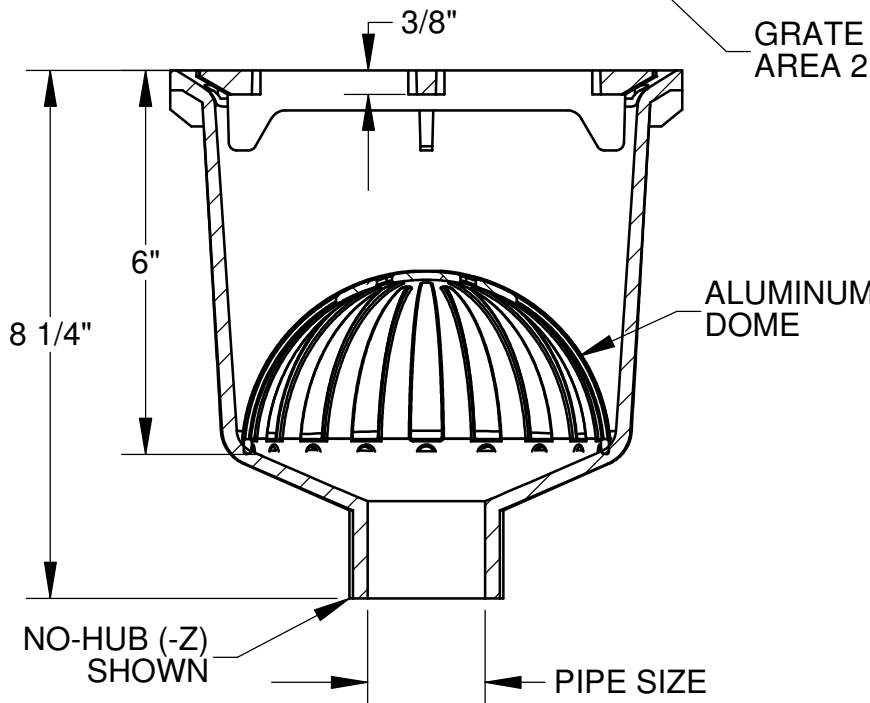
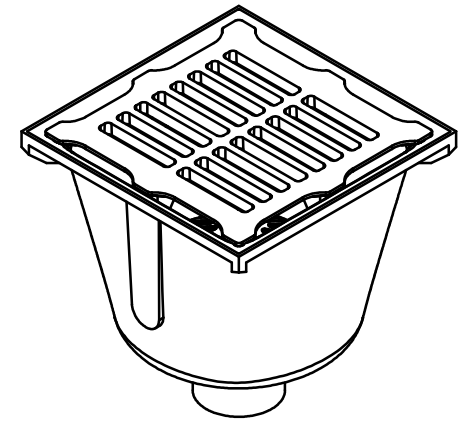
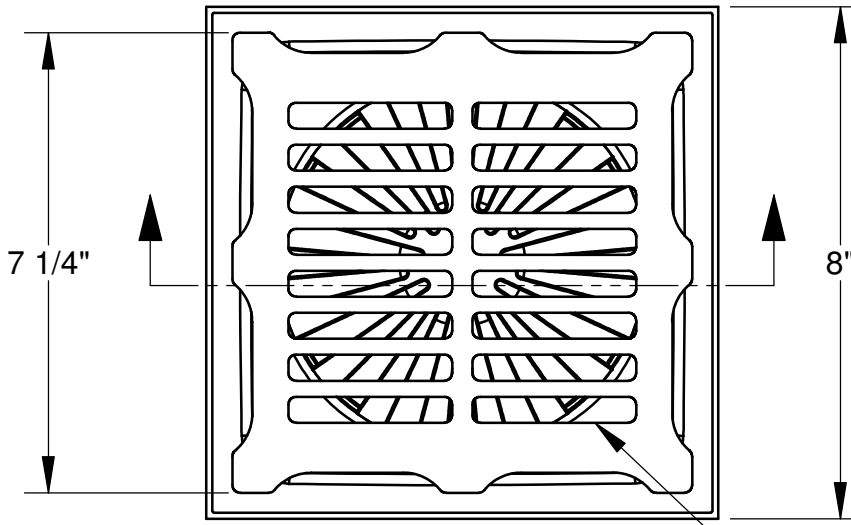
**SANITARY FLOOR SINK**

8" SQUARE TOP, 6" DEEP

SERIES **49300-LF**

SLOT WIDTH 7/16"

FORMERLY 49310 SERIES



GRATE FREE AREA 21 SQ. IN.

ALUMINUM DOME

| PIPE SIZE |    |
|-----------|----|
|           | 2" |
|           | 3" |
|           | 4" |

|   |   |     |                                       |
|---|---|-----|---------------------------------------|
| Δ | X | -LF | LESS FLANGE                           |
|   |   | -NB | NICKEL BRONZE TRAFFIC TOP             |
|   |   | -LG | LESS GRATE                            |
|   |   | -3  | HALF (1/2) GRATE                      |
|   |   | -4  | THREE-QUARTER (3/4) GRATE             |
|   |   | -7  | FULL GRATE WITH 2-1/2" CENTER OPENING |
|   |   | -8  | STAINLESS STEEL DEPRESSED GRATE       |
|   |   | -16 | GRATE WITH 4" ROUND FUNNEL            |
|   |   | -17 | GRATE WITH 6" ROUND FUNNEL            |
|   |   | -18 | GRATE WITH 9" x 3-1/2" OVAL FUNNEL    |

|   |  |     |                                               |
|---|--|-----|-----------------------------------------------|
| * |  | -31 | SEDIMENT BUCKET, ALUMINUM                     |
|   |  | -33 | SEDIMENT BUCKET, ACID RESISTANT FINISH        |
|   |  | -35 | BUCKET LINER (STAINLESS STEEL MESH)           |
|   |  | -43 | INTERNAL DOME STRAINER, ACID RESISTANT FINISH |
|   |  | -45 | LESS INTERNAL DONE STRAINER                   |
|   |  | -55 | 1/2" PRIMER ADAPTER, 88450 PROVIDED           |
|   |  | -X  | INSIDE CAULK OUTLET                           |
|   |  | -Z  | NO-HUB OUTLET                                 |

Δ SEPARATE SUBMITTAL FOR THIS OPTION AVAILABLE

\*MUST ALSO SPECIFY -31 OR -33 OPTION

DATE OF LAST CHANGE: 2/27/15

DIMENSIONS ARE SUBJECT TO MANUFACTURERS TOLERANCES AND CHANGE WITHOUT NOTICE. WE CAN ASSUME NO RESPONSIBILITY FOR USE OF SUPERSEDED OR VOID DATA.

**JOSAM COMPANY**  
MICHIGAN CITY, INDIANA

NOTES