

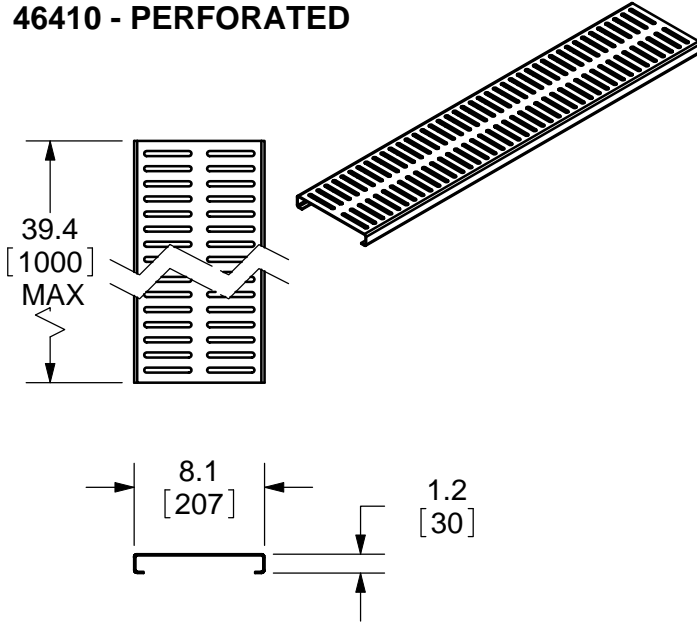
SPECIFICATION:

GRATE ASSORTMENT FOR JOSAM SERIES 46400 8" WIDE CHANNELS
IN TYPE 304 MATERIAL (316L AVAILABLE).

**SS TRENCH CHANNEL
GRATES 8" WIDE**

SERIES **46400**

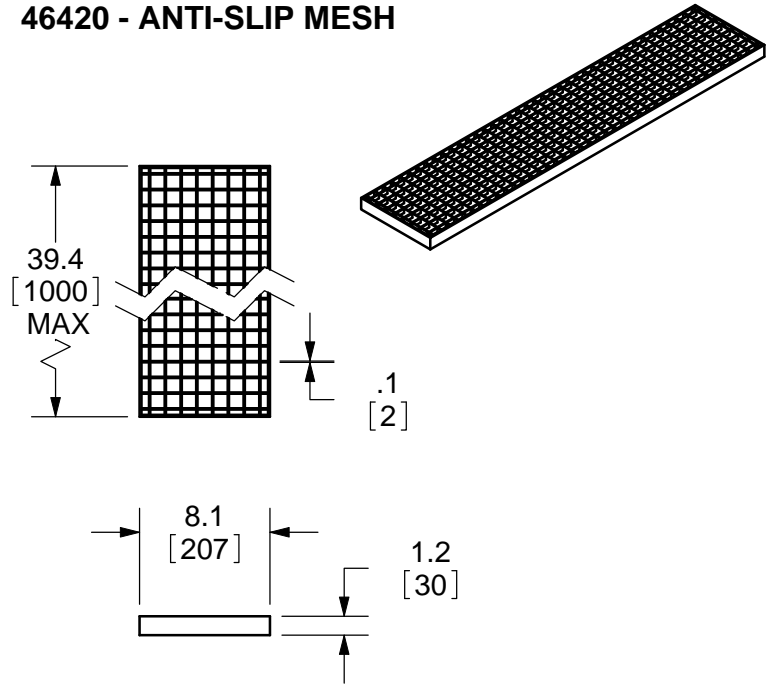
46410 - PERFORATED



SLOT WIDTH - .3" [8]
FREE AREA - 74 IN²

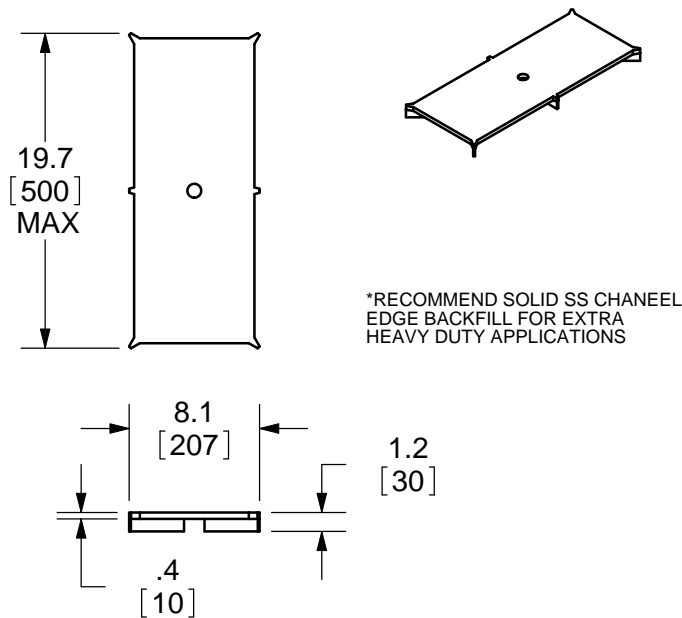
LOAD - LIGHT-DUTY
MEETS ADA AND HEEL-PROOF REQS.

46420 - ANTI-SLIP MESH



OPENINGS - .9" X .9" [23 X 23]
LOAD - MEDIUM-DUTY

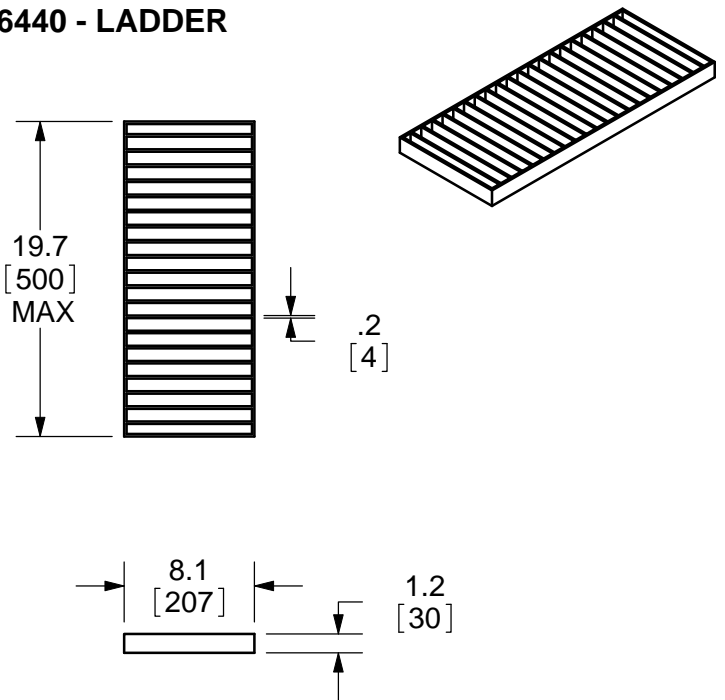
46430 - PERIMETER SLOT



*RECOMMEND SOLID SS CHANEEL
EDGE BACKFILL FOR EXTRA
HEAVY DUTY APPLICATIONS

SLOT WIDTH - .3" [8]
LOAD - EXTRA-HEAVY-DUTY

46440 - LADDER



SLOT WIDTH - .8" [20]
LOAD - HEAVY-DUTY

DATE OF LAST CHANGE: 07/14/10

DIMENSIONS ARE SUBJECT TO MANUFACTURERS
TOLERANCES AND CHANGE WITHOUT NOTICE.
WE CAN ASSUME NO RESPONSIBILITY FOR
USE OF SUPERSEDED OR VOID DATA.

JOSAM COMPANY
MICHIGAN CITY, INDIANA

NOTES