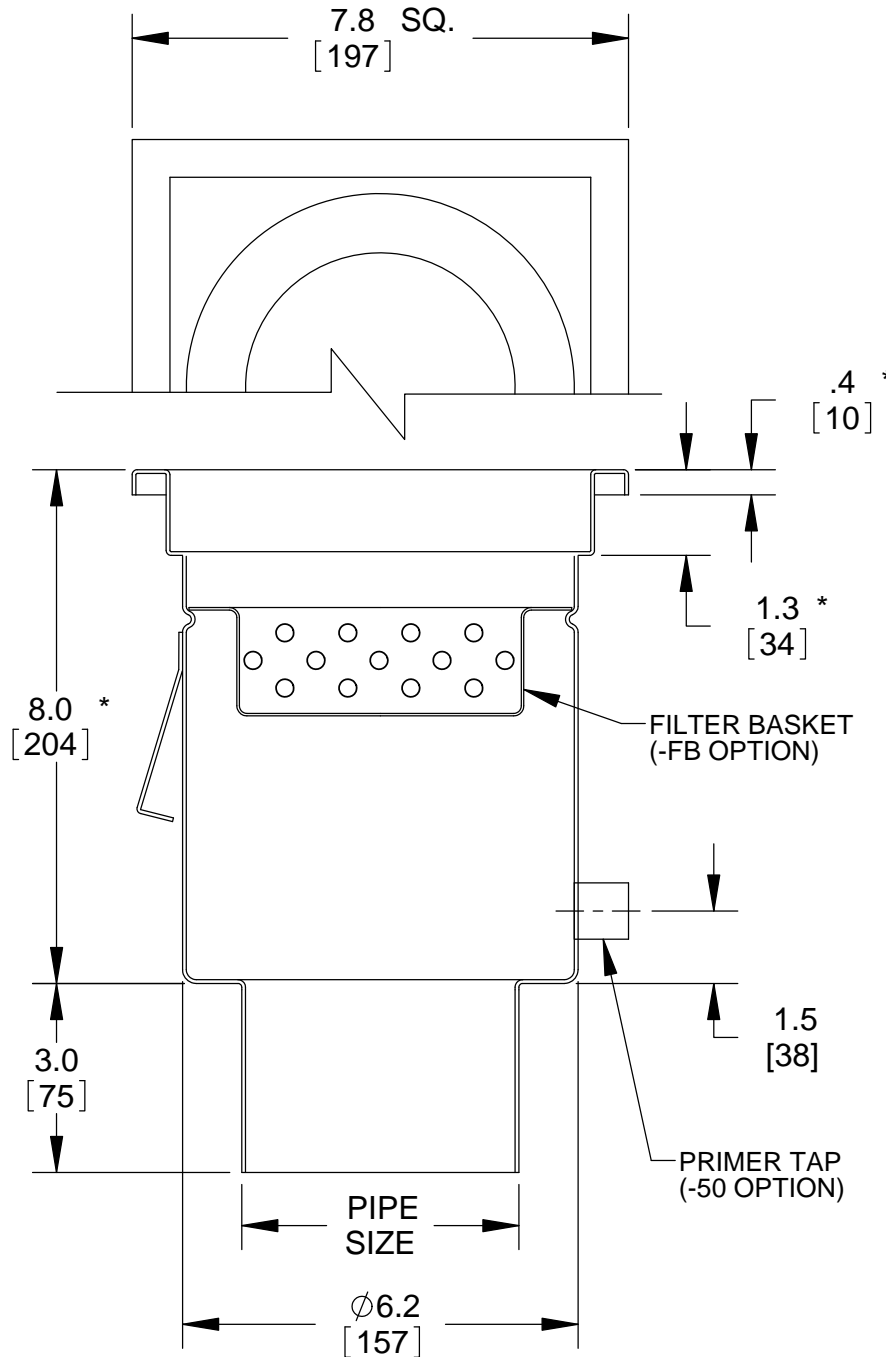


**SPECIFICATION:**

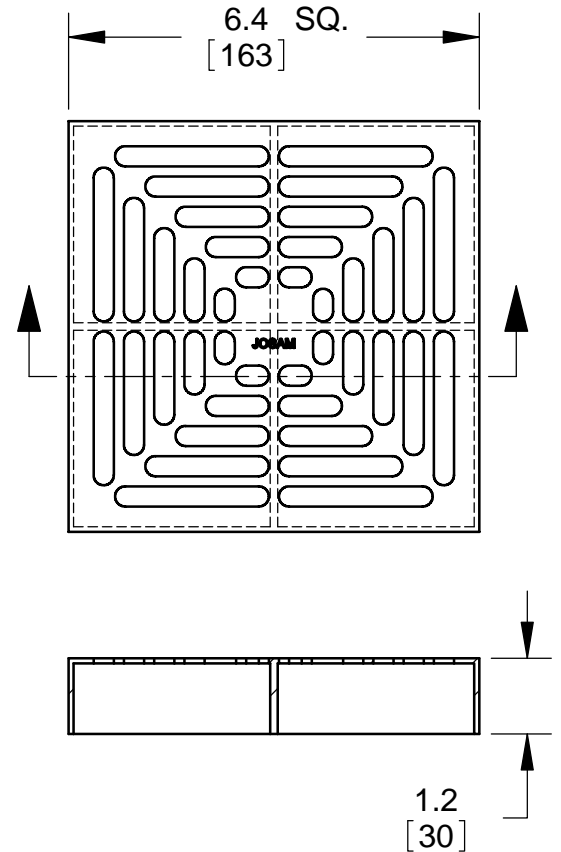
JOSAM SERIES 41440 FABRICATED STAINLESS STEEL (TYPE 304),  
8" SQUARE TOP, 8" DEEP, WITH NO-HUB BOTTOM OUTLET,  
ANCHOR TABS AND PERFORATED SS GRATE (STANDARD).

**SS DRAIN**  
8" SQUARE TOP, 8" DEEP

SERIES **41440**



**STANDARD GRATE**  
FREE AREA = 18.1 IN<sup>2</sup>  
MEETS ADA AND HEEL-PROOF REQMNTS.



	MODEL	PIPE SIZE
	41442	2"
	41443	3"
	41444	4"

**OPTIONS:**

-FB	FILTER BASKET
-SB	SEDIMENT BUCKET
-VP	SECURED GRATE
-SO	SIDE OUTLET
-50	1/2" PRIMER TAP
-T	THREADED OUTLET
-BW	BUTT-WELD OUTLET (SPEC. 10, 40, 80)

-NB	NICKEL BRONZE RIM & GRATE (*ADD 0.6")
-NG	NO GRATE
-HG	PERF. HALF GRATE
-3Q	PERF. 3/4 GRATE
-MG	MESH, ANTI-SLIP GRATE
-LG	LADDER GRATE
-SG	PERIMETER SLOT GRATE
-316	TYPE 316L MATERIAL

DATE OF LAST CHANGE: 09/26/12

DIMENSIONS ARE SUBJECT TO MANUFACTURERS TOLERANCES AND CHANGE WITHOUT NOTICE. WE CAN ASSUME NO RESPONSIBILITY FOR USE OF SUPERSEDED OR VOID DATA.

**JOSAM COMPANY**  
MICHIGAN CITY, INDIANA

NOTES