

SPECIFICATION:

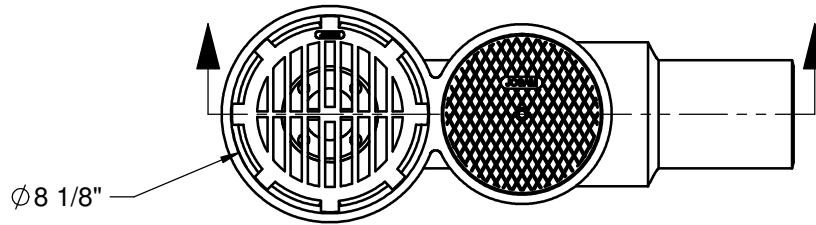
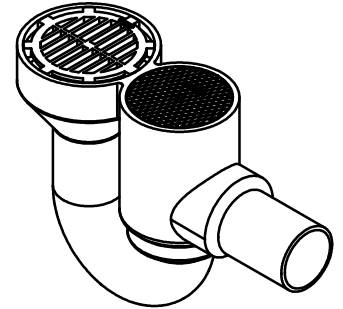
JOSAM 38040 SERIES COATED CAST IRON COMBINATION FLOOR DRAIN AND INTEGRAL DEEP SEAL TRAP, SIDE OUTLET SPIGOT CONNECTION, ROUND TOP, MEDIUM-DUTY LOOSE-SET SUPERFLO® GRATE AND CLEANOUT PROTECTED BY TRACTOR COVER.

**FLOOR DRAIN
ROUND TOP AND CLEANOUT**

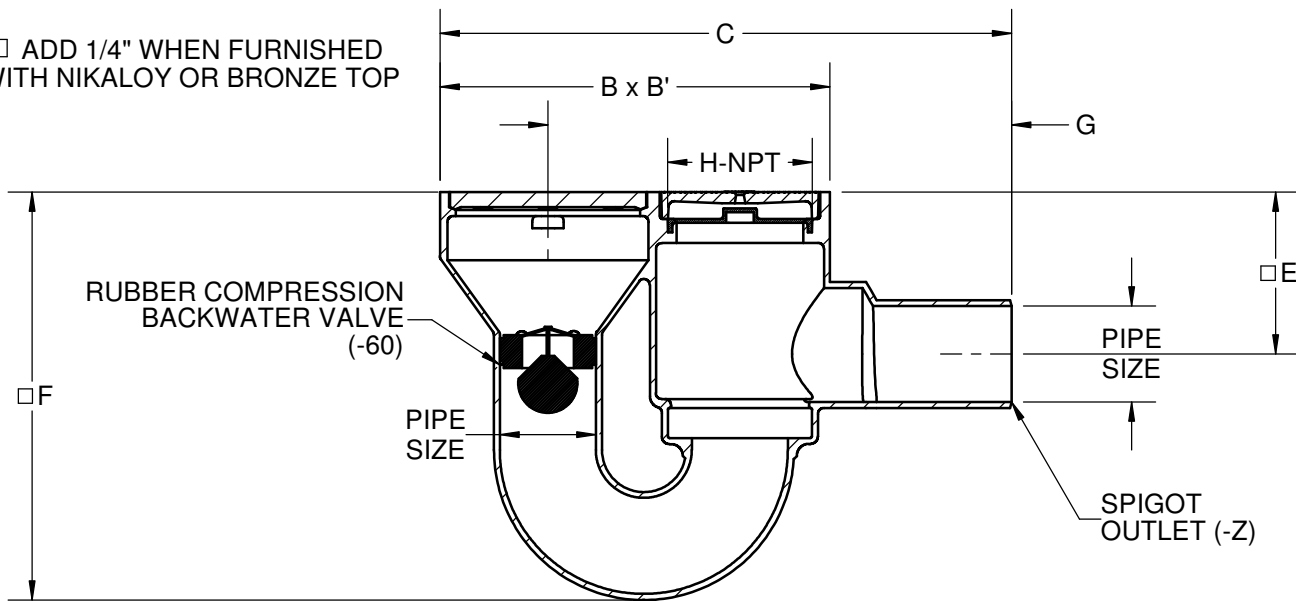
SERIES

38040

GRATE FREE AREA: 27 IN²
STD. CAST IRON SLOT WIDTH: 3/8"
-1 AND -2 SLOT WIDTH 3/16"



☐ ADD 1/4" WHEN FURNISHED WITH NIKALOY OR BRONZE TOP



	PIPE SIZE	B x B'	C	E	F	G	H
	2"	14-1/8 x 9	21-1/8	5-3/4	13-1/2	16-5/8	4
	*3"	16-1/4 x 9	23-13/16	6-3/4	17	19-3/8	5
	4"	16-1/4 x 9	23-13/16	6-3/4	17	19-3/8	5

*NOTE: 3" SIZE USES A 4" BODY WITH 4" x 3" REDUCING COUPLING

-1	SATIN FINISH NIKALOY TOP
-2	SATIN FINISH BRONZE TOP
-7	DUCTILE IRON GRATE
-11	EXTRA HEAVY-DUTY GRATE
-15	CHAINED GRATE
-VP	SECURED GRATE, VANDAL-PROOF SCREWS
-HP	HEEL-PROOF GRATE, CI, 5/16" SLOT WIDTH, 25 SQ IN FREE AREA
-49	3/4" PRIMER TAP
-50	1/2" PRIMER TAP

-51	1-1/2" AUXILARY THREAD INLET
-52	2" AUXILARY THREAD INLET
-60	BACKWATER VALVE
-81	SLOTTED CAST IRON BUCKET
-81-92	SLOTTED IRON BUCKET, GALVANIZED PARTS
-84	SS MESH BUCKET LINER (MUST SPECIFY -81)
-88	SUPPLEMENTAY STRAINER
-92	GALVANIZED CAST IRON PARTS

DATE OF LAST CHANGE: 12/23/14

DIMENSIONS ARE SUBJECT TO MANUFACTURERS TOLERANCES AND CHANGE WITHOUT NOTICE. WE CAN ASSUME NO RESPONSIBILITY FOR USE OF SUPERSEDED OR VOID DATA.

JOSAM COMPANY
MICHIGAN CITY, INDIANA

NOTES