

## 37830 SERIES EXTRA-DEEP SUMP, 12" HEAVY-DUTY TOP, LATCHING GRATE

### APPLICATION

For use in medium traffic areas, such as industrial plants or boiler rooms, for any type of floor construction where a square top complements construction or floor finish and a large sump is needed to handle a moderate flow of liquid. The bucket protects the drain line from large amounts of debris, and the latching hinged grate permits easy access for bucket removal.

### SPECIFICATION

JOSAM 37830 Series coated cast iron Floor Drain with double drainage flange, seepage slots, bottom outlet, square top, heavy-duty, hinged latching grate and removable sediment bucket.

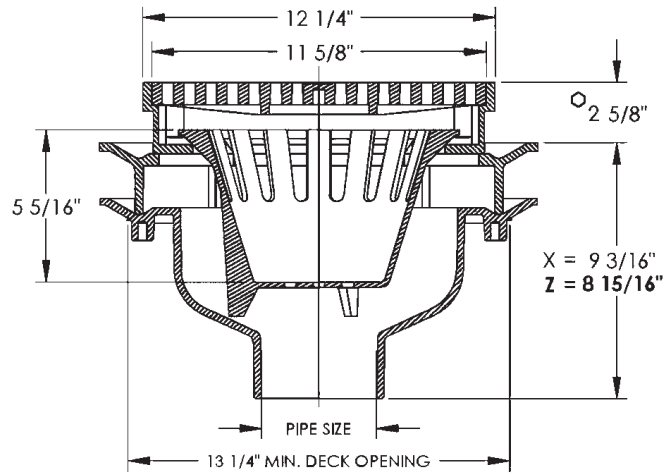
### Available Options

- 7 Ductile Iron Grate
- 19 Satin Finish Nikaloy Top
- 20 Satin Finish Bronze Top
- 21 Loose-Set Grate
- 22 Less Latching Device
- 49 3/4" Primer Tap
- 50 1/2" Primer Tap
- 69 Lift Handle for Sediment Bucket
- 84 Stainless Steel Mesh Bucket Liner
- 92 Galvanized Cast Iron Parts

#### OUTLETS:

- 66 No-Hub Side Outlet
- X Inside Caulk Outlet
- Z No-Hub Outlet

SLOT WIDTH 3/8"



GRATE FREE AREA 54 SQ. IN.  
 ○ ADD 1/4" WHEN FURNISHED WITH NIKALOY OR BRONZE TOP.

FOR OUTLET TYPE SPECIFY -X or -Z

TYPE NO.	PIPE SIZE	LBS.
37832	2	73
37833	3	74
37834	4	74
37835	5	74
37836	6	74

## 37840 SERIES EXTRA-DEEP SUMP, 12" HEAVY-DUTY TOP

### APPLICATION

For use in medium traffic areas such as boiler rooms for any type of floor construction where a square top complements construction or floor finish and where a medium to large flow of liquid is anticipated. The bucket collects debris, which may clog the waste line.

### SPECIFICATION

JOSAM 37840 Series coated cast iron Floor Drain with double drainage flange, seepage slots, bottom outlet, square top, heavy-duty secured grate and removable sediment bucket. Top frame serves as clamp ring.

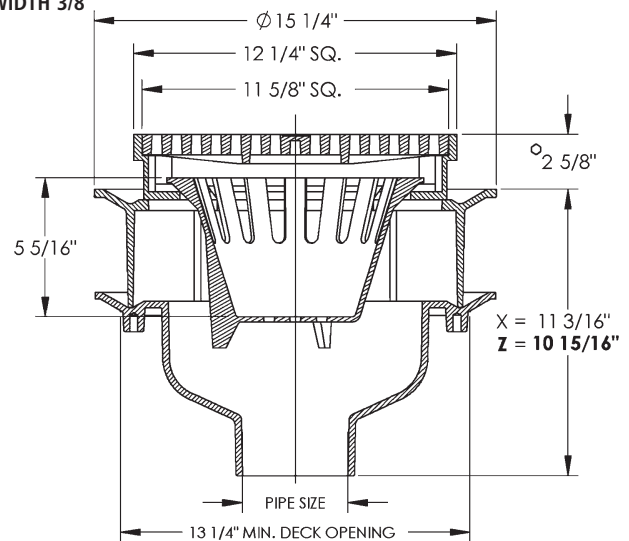
### Available Options

- 7 Ductile Iron Grate
- 14 Hinged Grate
- VP Secured Grate, Vandal-Proof Screws
- 19 C.I. Undergrate with Satin Finish Nikaloy Top
- 20 C.I. Undergrate with Satin Finish Bronze Top
- 49 3/4" Primer Tap
- 50 1/2" Primer Tap
- 70 Less Bucket
- 84 Stainless Steel Mesh Bucket Liner
- 88 Supplementary Strainer
- 92 Galvanized Cast Iron Parts

#### OUTLETS:

- 66 No-Hub Side Outlet, 2"-6"
- X Inside Caulk Outlet
- Z No-Hub Outlet

SLOT WIDTH 3/8"



GRATE FREE AREA 54 SQ. IN.  
 ○ ADD 1/4" WHEN FURNISHED WITH NIKALOY OR BRONZE TOP.

FOR OUTLET TYPE SPECIFY -X or -Z

TYPE NO.	PIPE SIZE	LBS.
37842	2	75
37843	3	75
37844	4	75
37845	5	75
37846	6	75
37848	8	75

FLOOR DRAINS