

SPECIFICATION:

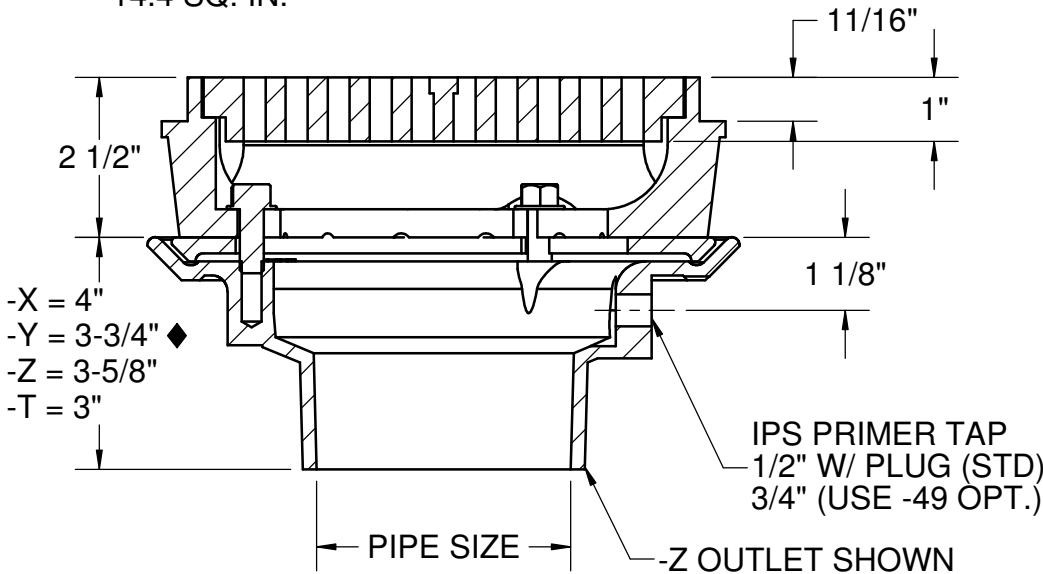
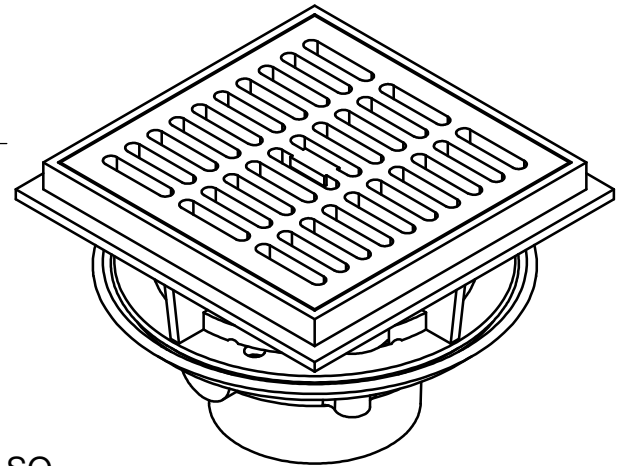
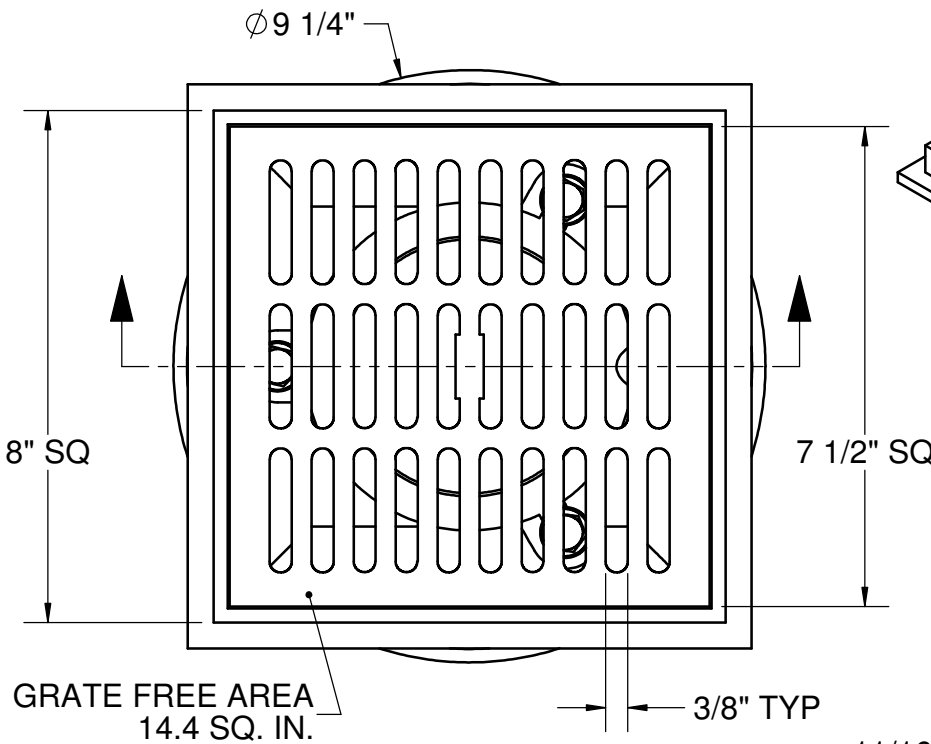
JOSAM 35100 SERIES CAST IRON FLOOR DRAIN, TWO-PIECE BODY WITH DOUBLE DRAINAGE FLANGE AND 1/2" PRIMER TAP WITH PLUG, WEJLOC NON-PUNCTURING FLASHING COLLAR, WEEPHOLES, BOTTOM OUTLET, SQUARE TOP WITH HEAVY-DUTY LOOSE-SET GRATE.

FLOOR DRAIN

8" SQUARE TOP

SERIES

35100



- X = 4"
- Y = 3-3/4" ♦
- Z = 3-5/8"
- T = 3"

	PIPE SIZE
	2"
	3"
	4"

♦ GASKET ON Y-CONNECTION CONFORMS WITH ASTM-C564

-TSO	THREADED SIDE OUTLET
-1	SATIN FINISH NIKALOY TOP
-2	SATIN FINISH BRONZE TOP
-7	DUCTILE IRON GRATE
-15	CHAINED GRATE
-49	3/4" PRIMER TAP

-ARE	ACID-RESISTING EPOXY
-92	GALVANIZED CAST IRON PARTS
-T	THREADED OUTLET
-X	INSIDE CAULK OUTLET
-Y	HUB OUTLET WITH GASKET
-Z	NO-HUB SPIGOT OUTLET

DATE OF LAST CHANGE: 04/25/15

DIMENSIONS ARE SUBJECT TO MANUFACTURERS TOLERANCES AND CHANGE WITHOUT NOTICE. WE CAN ASSUME NO RESPONSIBILITY FOR USE OF SUPERSEDED OR VOID DATA.

JOSAM COMPANY
MICHIGAN CITY, INDIANA

NOTES