

**SPECIFICATION:**

JOSAM 32200-SD SERIES COATED CAST IRON FLOOR DRAIN, SHALLOW TWO-PIECE BODY WITH DOUBLE DRAINAGE FLANGE, WEJLOC® NON-PUNCTURING FLASHING CLAMP, WEEPHOLES, BOTTOM OUTLET, ROUND TOP AND LOOSE-SET SPECIAL-DUTY GRATE.

**FLOOR DRAIN**

12" ROUND TOP,  
SPECIAL-DUTY

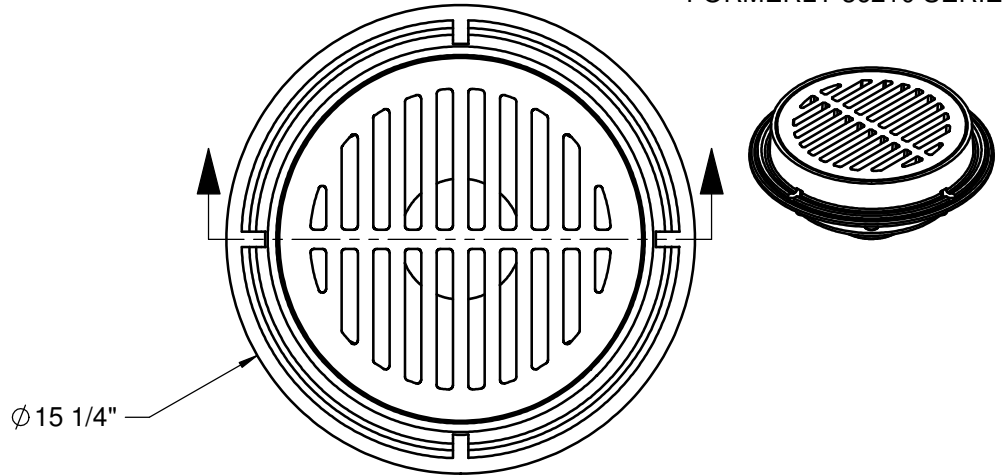
SERIES **32200-SD**

GRATE FREE AREA: 34.26 IN<sup>2</sup>  
STD. CAST IRON SLOT WIDTH 1/2"  
-1 AND -2 SLOT WIDTH 1/4"

FORMERLY 36210 SERIES

	PIPE SIZE
	2"
	3"
	4"
	5"
	6"
	8"
	*10"

\* NO-HUB ONLY

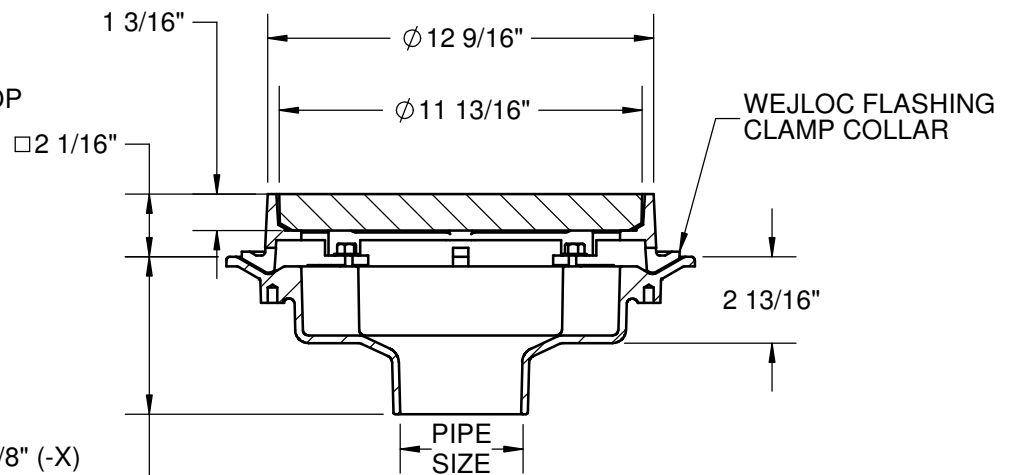


□ ADD 1/4" WHEN FURNISHED WITH NIKALOY OR BRONZE TOP

△ GASKET ON -Y CONNECTION CONFORMS WITH ASTM-C564

△ THIS DIMENSION IS 5-3/4" ON 8" THREADED OUTLET

- △ Y 5 3/8" (-X)
- △ 4 7/8" (-Y)
- △ 5 1/8" (-Z)
- △ 8 3 3/4" (-T)



△	-AE	LEVELEZE® ADJUSTABLE EXTENSION
△	-81	SLOTTED CAST IRON BUCKET
X	-SD	SPECIAL-DUTY GRATE
	-1	SATIN FINISH NIKALOY TOP
	-2	SATIN FINISH BRONZE TOP
	-15	CHAINED GRATE
	-49	3/4" PRIMER TAP
	-50	1/2" PRIMER TAP
	-66	NO-HUB SIDE OUTLET (2" -6")

	-44	FIXED EXTENSION, CAST IRON (2" STD. OR SPEC. HEIGHT)
	-44-92	FIXED EXTENSION, GALVANIZED (2" STD. OR SPEC. HEIGHT)
	-84	SS MESH BUCKET LINER
	-88	SUPPLEMENTARY STRAINER
	-92	GALVANIZED CAST IRON PARTS
	-VP	SECURED GRATE, VANDAL-PROOF SCREWS
	-ARE	ACID-RESISTING EPOXY
	-T	THREADED OUTLET
	-X	INSIDE CAULK OUTLET
	-Y	HUB OUTLET WITH GASKET (2"-4") SIZES ONLY
	-Z	NO-HUB OUTLET

△ SEPARATE SUBMITTAL FOR THIS OPTION AVAILABLE

DATE OF LAST CHANGE: 6/20/14

DIMENSIONS ARE SUBJECT TO MANUFACTURERS TOLERANCES AND CHANGE WITHOUT NOTICE. WE CAN ASSUME NO RESPONSIBILITY FOR USE OF SUPERSEDED OR VOID DATA.

**JOSAM COMPANY**  
MICHIGAN CITY, INDIANA

NOTES