

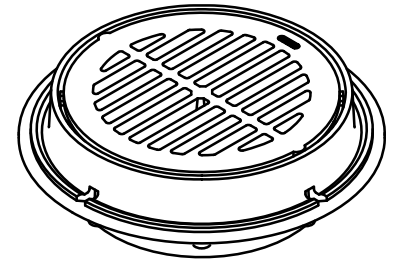
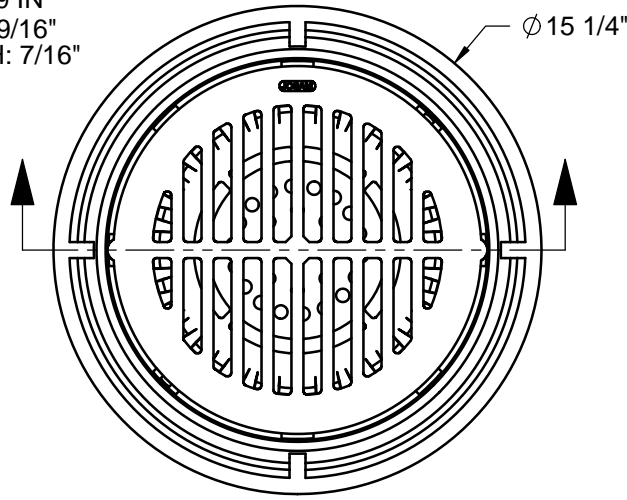
SPECIFICATION:

JOSAM 32200-81 SERIES COATED CAST IRON FLOOR DRAIN, SHALLOW TWO-PIECE BODY WITH DOUBLE DRAINAGE FLANGE, WEJLOC® NON-PUNCTURING FLASHING COLLAR, WEEPHOLES, BOTTOM OUTLET, ROUND TOP WITH REMOVABLE SEDIMENT BUCKET THAT SUPPORTS A MEDIUM-DUTY LOOSE-SET ANTI-TILTING SUPER-FLO GRATE WITH PERIMETER DRAINAGE SLOTS.

FLOOR DRAIN
12" ROUND TOP, SUPER-FLO®

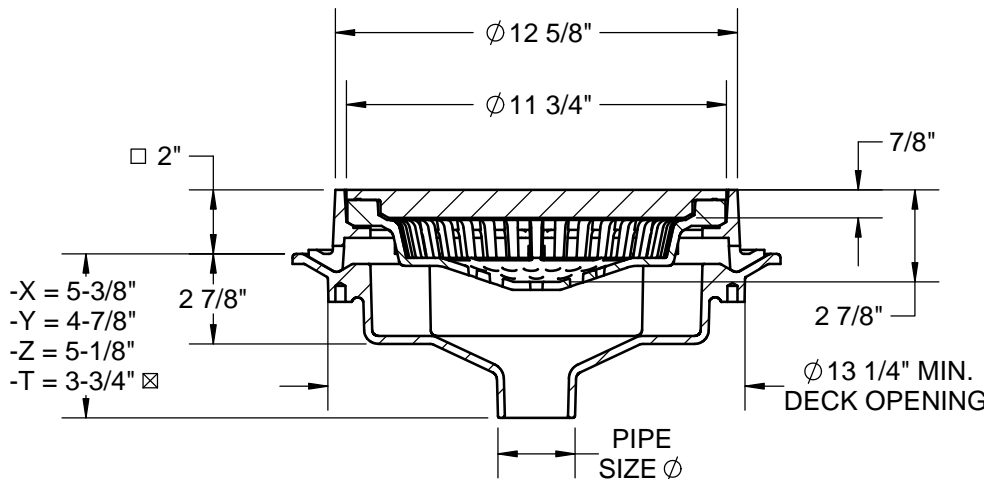
SERIES **32200-81**

GRATE FREE AREA: 59 IN²
STD. CI SLOT WIDTH: 9/16"
-1 AND -2 SLOT WIDTH: 7/16"



- ADD 1/4" WHEN FURNISHED WITH NIKALOY OR BRONZE TOP
- 5-3/4" HEIGHT FOR 8" THREADED (-T) OUTLET

GASKET FOR -Y AND -X OUTLETS CONFORMS TO ASTM-C564



PIPE SIZE
2"
3"
4"
5"
6"
8"

-1	SATIN FINISH NIKALOY TOP	-81	SLOTTED CAST IRON BUCKET
-2	SATIN FINISH BRONZE TOP	-84	SS MESH BUCKET LINER (MUST SPEC. -81)
-4	SECONDARY FLASH. CLAMP (W/ -AE ONLY)	-88	SUPPLEMENTARY STRAINER
-7	DUCTILE IRON GRATE	-92	GALVANIZED CAST IRON PARTS
-13	DOME GRATE, CAST IRON	-AE	LEVELZEZE ADJUSTABLE EXTENSION
-13-1	DOME GRATE, NIKALOY	-ARE	ACID-RESISTANT EPOXY COATING
-13-2	DOME GRATE, BRONZE	-SD	SPECIAL-DUTY GRATE
-15	CHAINED GRATE	-HP	HEEL-PROOF GRATE, CI, 5/16" SLOT WIDTH, 25 SQ IN FREE AREA
-44	FIXED EXTENSION, CI (2" STD OR SPECIFY)	-VP	SECURED GRATE, VP SCREWS
-44-92	FIXED EXTENSION, GALVANIZED	-T	THREADED OUTLET
-49	3/4" PRIMER TAP	-X	INSIDE CAULK OUTLET
-50	1/2" PRIMER TAP	-Y	HUB OUTLET W/ GASKET (2" - 4" SIZES ONLY)
-66	NO-HUB SIDE OUTLET (2" - 6")	-Z	NO-HUB OUTLET

DATE OF LAST CHANGE: 8/19/16

DIMENSIONS ARE SUBJECT TO MANUFACTURERS TOLERANCES AND CHANGE WITHOUT NOTICE. WE CAN ASSUME NO RESPONSIBILITY FOR USE OF SUPERSEDED OR VOID DATA.

JOSAM COMPANY
MICHIGAN CITY, INDIANA

NOTES