

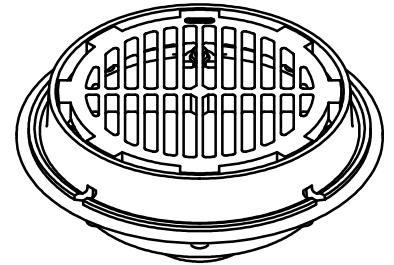
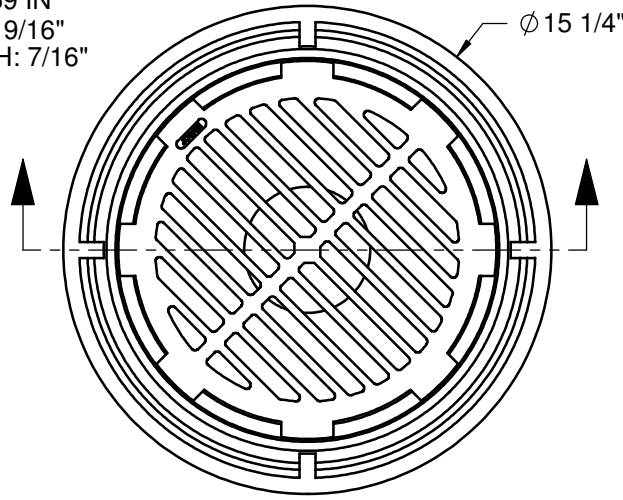
SPECIFICATION:

JOSAM 32200 SERIES COATED CAST IRON FLOOR DRAIN, SHALLOW TWO-PIECE BODY WITH DOUBLE DRAINAGE FLANGE, WEJLOC® NON-PUNCTURING FLASHING COLLAR, WEEPHOLES, BOTTOM OUTLET, ROUND TOP, MEDIUM-DUTY LOOSE-SET ANTI-TILTING SUPER-FLO® GRATE WITH PERIMETER DRAINAGE SLOTS.

FLOOR DRAIN
12" ROUND TOP, SUPER-FLO®

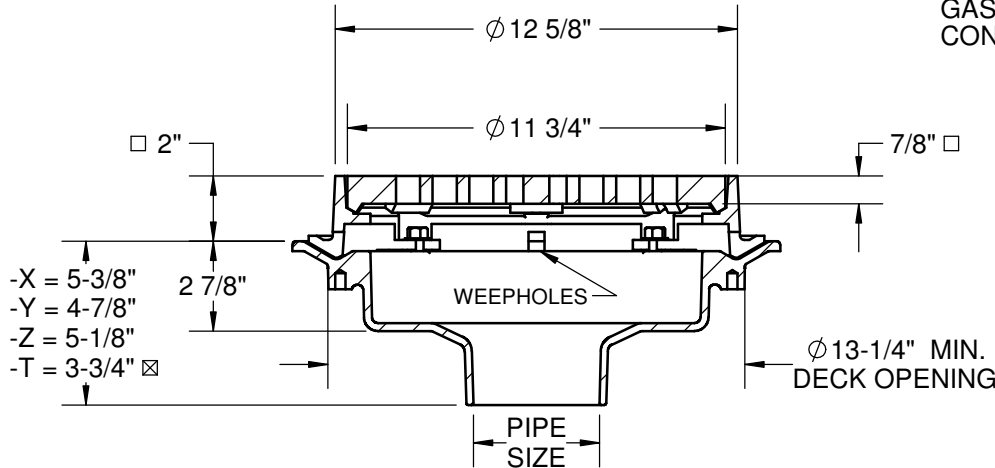
SERIES **32200**

GRATE FREE AREA: 59 IN²
STD. CI SLOT WIDTH: 9/16"
-1 AND -2 SLOT WIDTH: 7/16"



- ADD 1/4" WHEN FURNISHED WITH NIKALOY OR BRONZE TOP
- 5-3/4" HEIGHT FOR 8" THREADED (-T) OUTLET

GASKET FOR -Y AND -X OUTLETS CONFORMS TO ASTM-C564



PIPE SIZE
2"
3"
4"
5"
6"
8"

-1	SATIN FINISH NIKALOY TOP
-2	SATIN FINISH BRONZE TOP
-4	SECONDARY FLASH. CLAMP (W/ -AE ONLY)
-7	DUCTILE IRON GRATE
-13	DOME GRATE, CAST IRON
-13-1	DOME GRATE, NIKALOY
-13-2	DOME GRATE, BRONZE
-15	CHAINED GRATE
-44	FIXED EXTENSION, CI (2" STD OR SPECIFY)
-44-92	FIXED EXTENSION, GALVANIZED
-49	3/4" PRIMER TAP
-50	1/2" PRIMER TAP
-66	NO-HUB SIDE OUTLET (2" - 6")

-81	SLOTTED CAST IRON BUCKET
-84	SS MESH BUCKET LINER (MUST SPEC. -81)
-88	SUPPLEMENTARY STRAINER
-92	GALVANIZED CAST IRON PARTS
-AE	LEVELEZE ADJUSTABLE EXTENSION
-ARE	ACID-RESISTANT EPOXY COATING
-SD	SPECIAL-DUTY GRATE
-HP	HEEL-PROOF GRATE, CI, 5/16" SLOT WIDTH, 25 SQ IN FREE AREA
-VP	SECURED GRATE, VP SCREWS
-T	THREADED OUTLET
-X	INSIDE CAULK OUTLET
-Y	HUB OUTLET W/ GASKET (2" - 4" SIZES ONLY)
-Z	NO-HUB OUTLET

△ SEPARATE SUBMITTAL AVIALABLE FOR THIS OPTION AVAILABLE

DATE OF LAST CHANGE: 04/25/15

DIMENSIONS ARE SUBJECT TO MANUFACTURERS TOLERANCES AND CHANGE WITHOUT NOTICE. WE CAN ASSUME NO RESPONSIBILITY FOR USE OF SUPERSEDED OR VOID DATA.

JOSAM COMPANY
MICHIGAN CITY, INDIANA

NOTES