

**SPECIFICATION:**

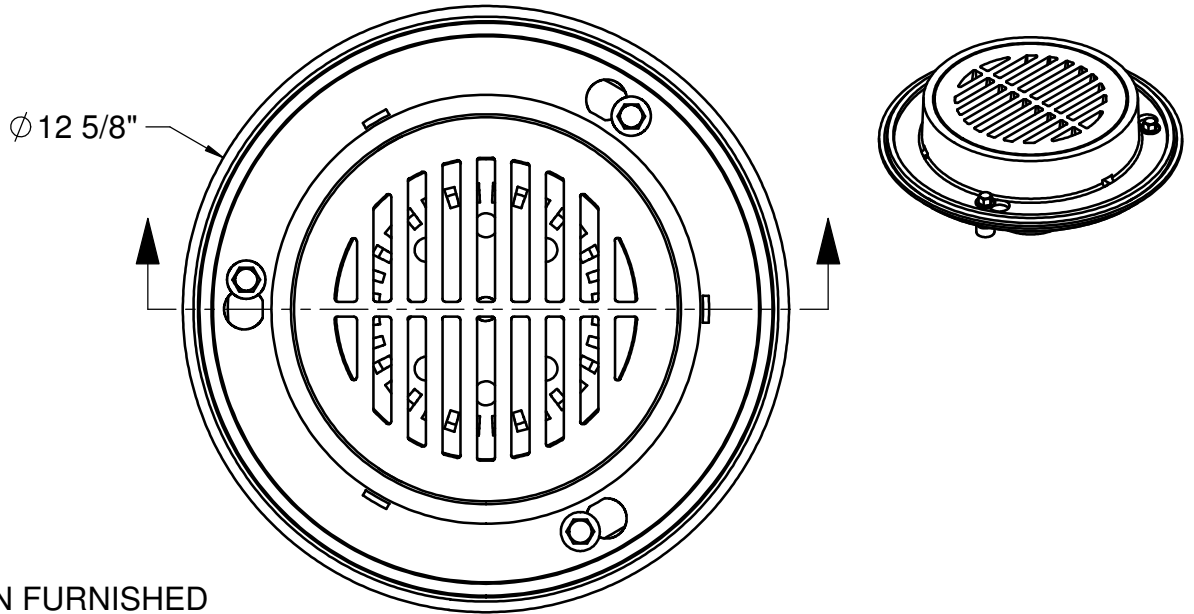
JOSAM 32100-TG SERIES COATED CAST IRON FLOOR DRAIN, TWO-PIECE BODY WITH DOUBLE DRAINAGE FLANGE, WEEPHOLES, WEJLOC®NON-PUNCTURING FLASHING COLLAR, BOTTOM OUTLET, ROUND TOP WITH HEAVY-DUTY, LOOSE-SET TRACTOR GRATE.

**FLOOR DRAIN**  
9" ROUND TOP, TRACTOR GRATE

SERIES **32100-TG**

SLOT WIDTH - 3/8"  
FREE AREA - 15.7 IN<sup>2</sup>

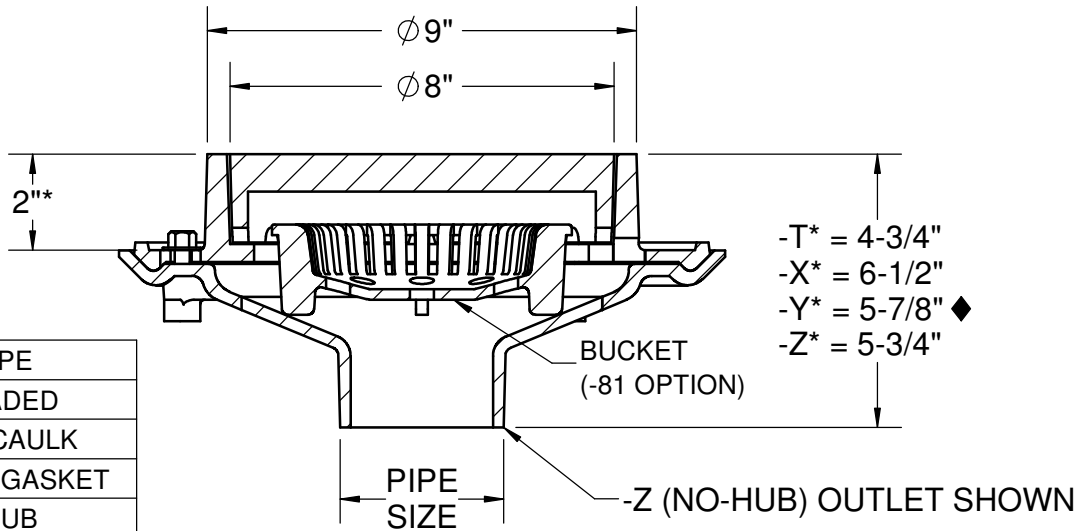
FORMERLY 36000 SERIES



\*ADD 1/4" WHEN FURNISHED WITH NIKALOY OR BRONZE TOP

◆ GASKET CONFORMS WITH ASTM-C564

PIPE SIZE	
	2"
	3"
	4"



OUTLET TYPE	
-T	THREADED
-X	INSIDE CAULK
-Y	HUB WITH GASKET
-Z	NO-HUB

X	-TG	TRACTOR GRATE	-49	3/4" PRIMER TAP
	-1	SATIN FINISH NIKALOY TOP	-50	1/2" PRIMER TAP
	-2	SATIN FINISH BRONZE TOP	-66	NO-HUB SIDE OUTLET
	-7	DUCTILE IRON GRATE	-81	SLOTTED CAST IRON BUCKET (069447)
	-15	CHAINED GRATE	-84	STAINLESS ST. MESH BUCKET LINER
	-VP	SECURED GRATE, VANDAL-PROOF SCREWS	-88	SUPPLEMENTARY STRAINER
	-ARE	ACID-RESISTING EPOXY	-92	GALVANIZED CAST IRON PARTS
	-44	FIXED EXTENSION, CAST IRON (3" STD. OR SPECIFY HEIGHT)		
	-44-92	FIXED EXTENSION, GALVANIZED (3" STD. OR SPECIFY HEIGHT)		

DATE OF LAST CHANGE: 04/25/15

DIMENSIONS ARE SUBJECT TO MANUFACTURERS TOLERANCES AND CHANGE WITHOUT NOTICE. WE CAN ASSUME NO RESPONSIBILITY FOR USE OF SUPERSEDED OR VOID DATA.

**JOSAM COMPANY**  
MICHIGAN CITY, INDIANA

NOTES