

**SPECIFICATION:**

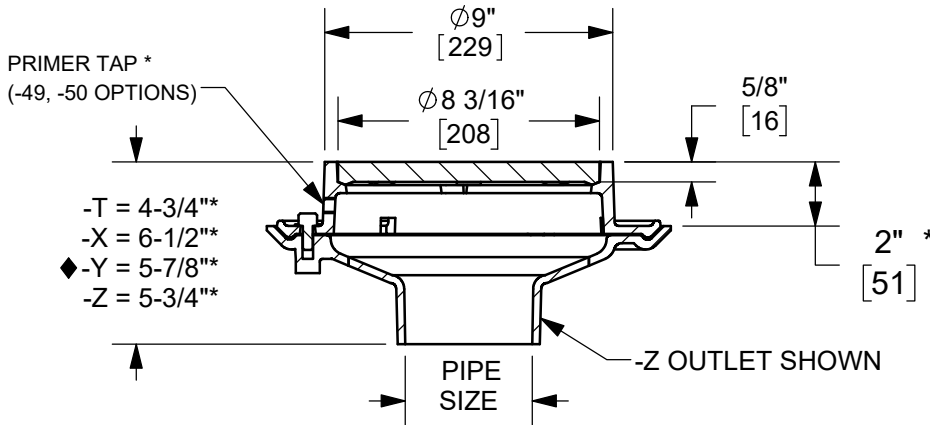
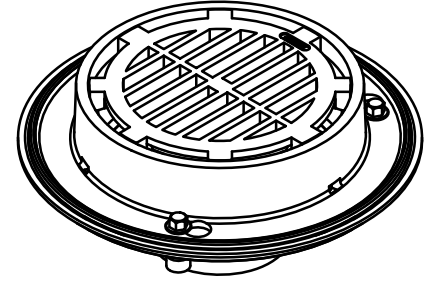
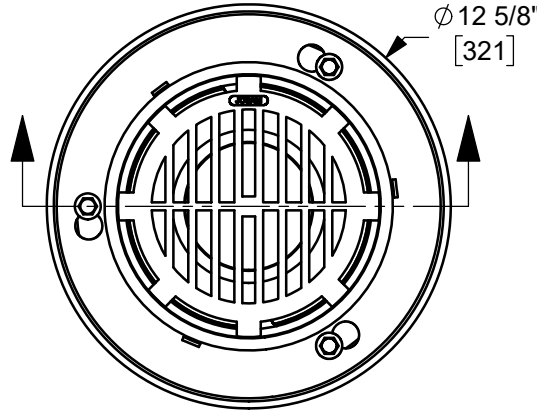
JOSAM 32100 SERIES COATED CAST IRON FLOOR DRAIN, TWO-PIECE BODY WITH DOUBLE DRAINAGE FLANGE, WEJLOC® NON-PUNCTURING FLASHING COLLAR, WEEPHOLES, BOTTOM OUTLET, ROUND TOP, MEDIUM-DUTY LOOSE-SET ANTI-TILTING SUPER-FLO® GRATE WITH PERIMETER DRAINAGE SLOTS.

**FLOOR DRAIN**  
**9" ROUND TOP, SUPER-FLO®**

SERIES **32100**

GRATE FREE AREA: 27 IN<sup>2</sup>  
 SLOT WIDTH 3/8" (MEETS ADA)

-1 & -2:  
 SLOT WIDTH = 1/4"  
 F.A. = 25 IN<sup>2</sup>



◆ GASKET CONFORMS WITH ASTM-C564

\*ADD 1/4" WHEN FURNISHED WITH NIKALOY OR BRONZE TOP (-1 OR -2)

\* FOR TRAP PRIMER CONNECTION BELOW DRAIN, USE 88400 OR 88450 ADAPTER.

|       |   |        |  |
|-------|---|--------|--|
| 2"    | PIPE SIZE                                       | -39    | SOLID CAST IRON COVER                                      |
| 3"    | PIPE SIZE                                       | -VP    | SECURED GRATE, VANDAL-PROOF SCREWS                         |
| 4"    | PIPE SIZE                                       | -ARE   | ACID-RESISTING EPOXY                                       |
| 6"    | PIPE SIZE, NO-HUB -SEE SEPARATE SUBMITTAL 32106 | -44    | FIXED EXTENSION COLLAR, CAST IRON ( SPEC. HT. ) 2" STD.    |
| -AE   | LEVELEZE® ADJUSTABLE EXTENSION                  | -44-92 | FIXED EXTENSION COLLAR, GALVANIZED ( SPEC. HT. ) 2" STD.   |
| -81   | SLOTTED CAST IRON BUCKET                        | -49    | 3/4" PRIMER TAP  |
| -TG   | TRACTOR GRATE                                   | -50    | 1/2" PRIMER TAP  |
| -LC1  | LOCKING COVER, SATIN FINISH NIKALOY             | -84    | STAINLESS STEEL MESH BUCKET LINER                          |
| -LC2  | LOCKING COVER, SATIN FINISH BRONZE              | -88    | SUPPLEMENTARY STRAINER                                     |
| -1    | SATIN FINISH NIKALOY TOP                        | -92    | GALVANIZED CAST IRON PARTS                                 |
| -2    | SATIN FINISH BRONZE TOP                         | -66    | NO-HUB SIDE OUTLET   |
| -7    | DUCTILE IRON GRATE                              | -HP    | HEEL-PROOF GRATE, CI, 5/16" SLOT WIDTH, 25 SQ IN FREE AREA |
| -11   | EXTRA-HEAVY DUTY GRATE, CAST IRON               | -TGI   | TRAP GUARD INSERT  |
| -13   | DOME GRATE, CAST IRON                           | -T     | THREADED OUTLET  |
| -13-1 | DOME GRATE, NIKALOY                             | -X     | INSIDE CAULK OUTLET  |
| -13-2 | DOME GRATE, BRONZE                              | -Y     | HUB OUTLET WITH GASKET                                     |
| -15   | CHAINED GRATE                                   | -Z     | NO-HUB OUTLET  |

WARNING: Cancer and Reproductive Harm - www.P65Warnings.ca.gov

DATE OF LAST CHANGE: 05/18/18

DIMENSIONS ARE SUBJECT TO MANUFACTURERS TOLERANCES AND CHANGE WITHOUT NOTICE. WE CAN ASSUME NO RESPONSIBILITY FOR USE OF SUPERSEDED OR VOID DATA.



MICHIGAN CITY, INDIANA

NOTES