

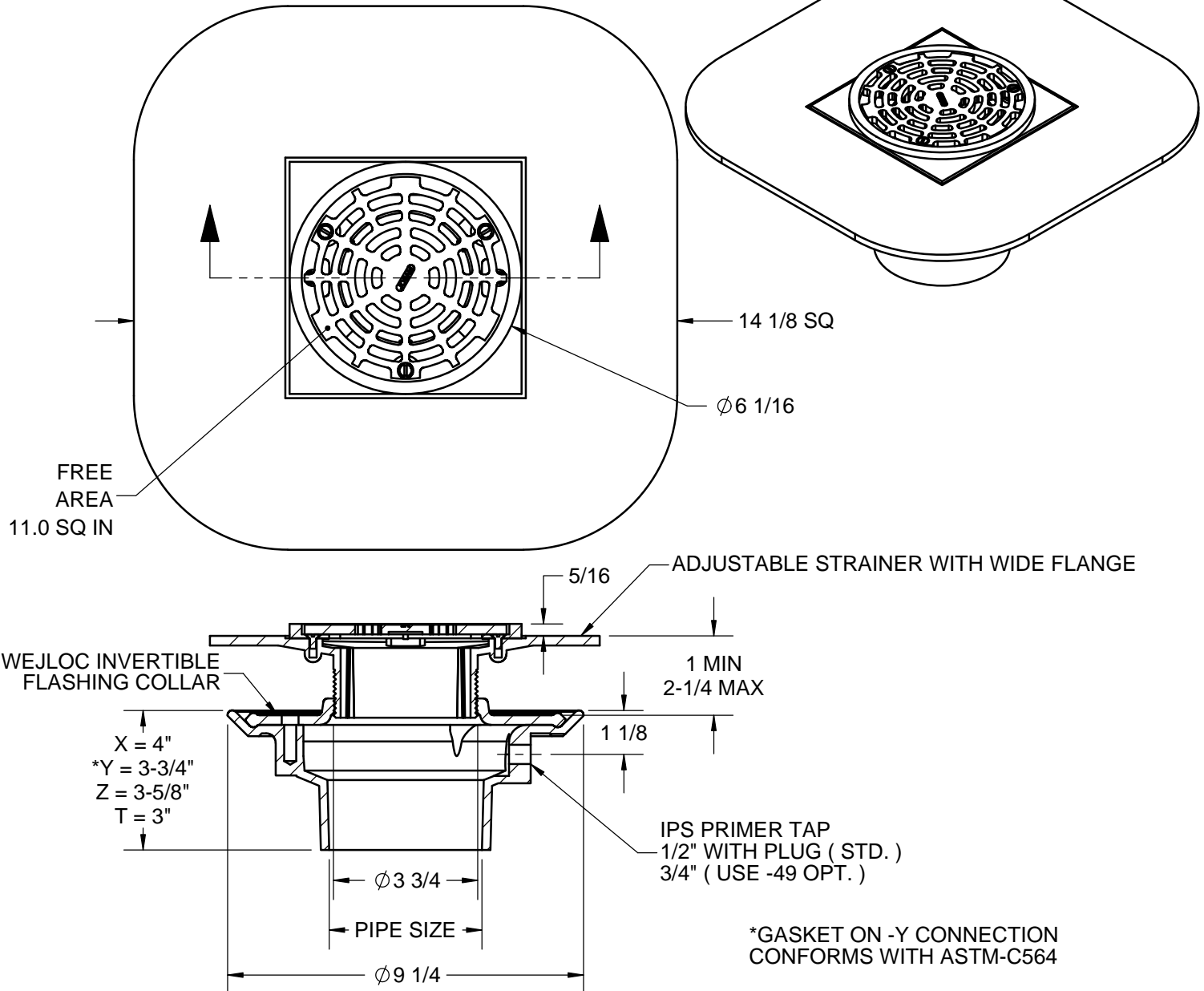
SPECIFICATION:

JOSAM SERIES 30000-WF6A CAST IRON FLOOR DRAIN, TWO-PIECE BODY WITH DOUBLE DRAINAGE FLANGE AND 1/2" PRIMER TAP, WEJLOC® INVERTIBLE FLASHING COLLAR, WEEPHOLES, BOTTOM OUTLET CONNECTION AND NIKALOY ADJUSTABLE STRAINER WITH ROUND GRATE AND WIDE FLANGE.

**FLOOR DRAIN
ADJUSTABLE FLOOR DRAIN**

SERIES **30000-WF6A**

SLOT WIDTH 1/4" (TYP)



	2"	PIPE SIZE			
	3"	PIPE SIZE			
	4"	PIPE SIZE		-2	BRONZE ADJUSTABLE STRAINER
	-TSO	THREADED SIDE OUTLET		-80	PERFORATED STAINLESS STEEL BASKET
	-WT	WITH TRAP		-J	BACKWATER VALVE
	-PD	PRISON DRAIN		-VP	SECURED GRATE, VANDAL-PROOF SCREWS
	-ARE	ACID-RESISTING EPOXY		-T	THREADED OUTLET
	-49	3/4" PRIMER TAP		-X	INSIDE CAULK OUTLET
	-91	ROUGH BRONZE BODY		-Y	HUB OUTLET WITH GASKET*
	-92	GALVANIZED CAST IRON PARTS		-Z	NO-HUB SPIGOT OUTLET

DATE OF LAST CHANGE: 2/26/16
DIMENSIONS ARE SUBJECT TO MANUFACTURERS TOLERANCES AND CHANGE WITHOUT NOTICE. WE CAN ASSUME NO RESPONSIBILITY FOR USE OF SUPERSEDED OR VOID DATA.

JOSAM COMPANY
MICHIGAN CITY, INDIANA

NOTES