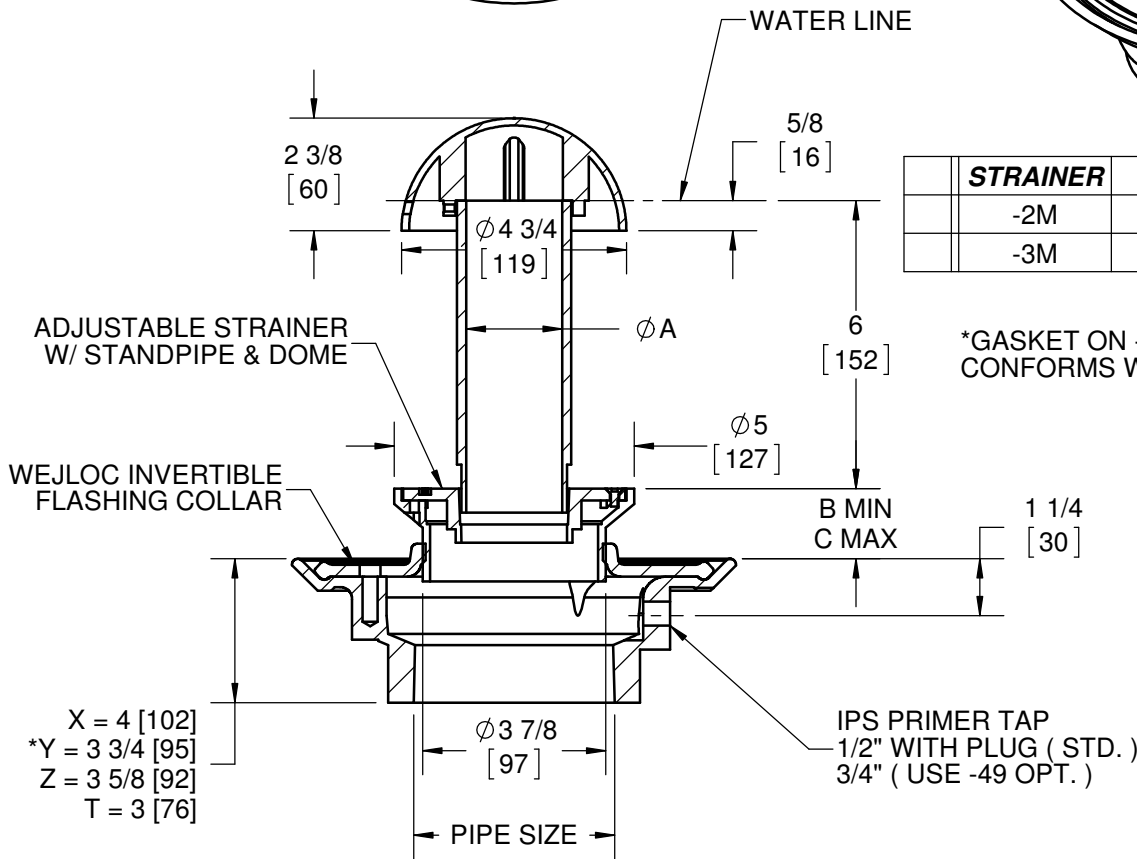
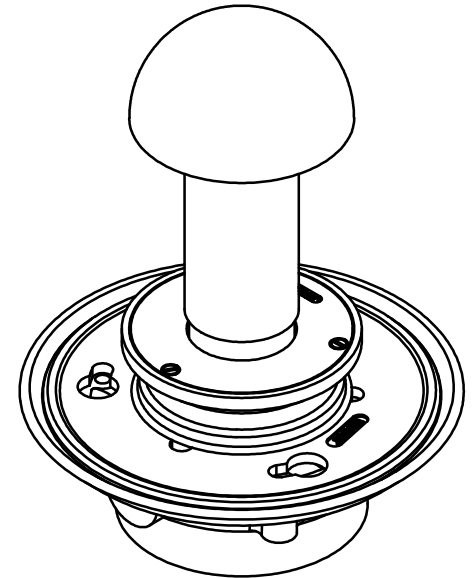
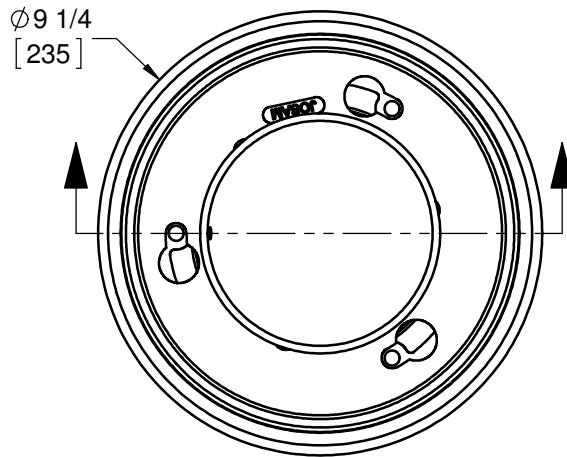


**SPECIFICATION:**

JOSAM SERIES 30000-M CAST IRON FLOOR DRAIN, TWO-PIECE BODY WITH DOUBLE DRAINAGE FLANGE AND 1/2" PRIMER TAP, WEJLOC® INVERTIBLE FLASHING COLLAR, WEEPHOLES, BOTTOM OUTLET CONNECTION AND CHROME PLATED ADJUSTABLE STANDPIPE WITH DOME.

**FLOOR DRAIN  
ADJUSTABLE FLOOR DRAIN**

SERIES **30000-M**



| STRAINER | A | B   | C     |
|----------|---|-----|-------|
| -2M      | 2 | 1   | 2-1/8 |
| -3M      | 3 | 1/2 | 1-7/8 |

\*GASKET ON -Y CONNECTION CONFORMS WITH ASTM-C564

|      |                                    |     |                            |
|------|------------------------------------|-----|----------------------------|
| 2"   | PIPE SIZE                          | -92 | GALVANIZED CAST IRON PARTS |
| 3"   | PIPE SIZE                          | -2  | BRONZE ADJUSTABLE STRAINER |
| 4"   | PIPE SIZE                          | -24 | LESS DOME                  |
| -TSO | THREADED SIDE OUTLET               | -PF | PERFORATED STANDPIPE       |
| -ST  | WITH SHALLOW TRAP (2" AND 3" ONLY) |     |                            |
| -PD  | PRISON DRAIN (2" AND 3" ONLY)      | -T  | THREADED OUTLET            |
| -ARE | ACID-RESISTING EPOXY               | -X  | INSIDE CAULK OUTLET        |
| -49  | 3/4" PRIMER TAP                    | -Y  | HUB OUTLET WITH GASKET*    |
| -91  | ROUGH BRONZE BODY                  | -Z  | NO-HUB SPIGOT OUTLET       |

DATE OF LAST CHANGE: 12/3/15

DIMENSIONS ARE SUBJECT TO MANUFACTURERS TOLERANCES AND CHANGE WITHOUT NOTICE. WE CAN ASSUME NO RESPONSIBILITY FOR USE OF SUPERSEDED OR VOID DATA.

**JOSAM COMPANY**  
MICHIGAN CITY, INDIANA

NOTES