

29000 SERIES ISOLATION DECK DRAIN

APPLICATION

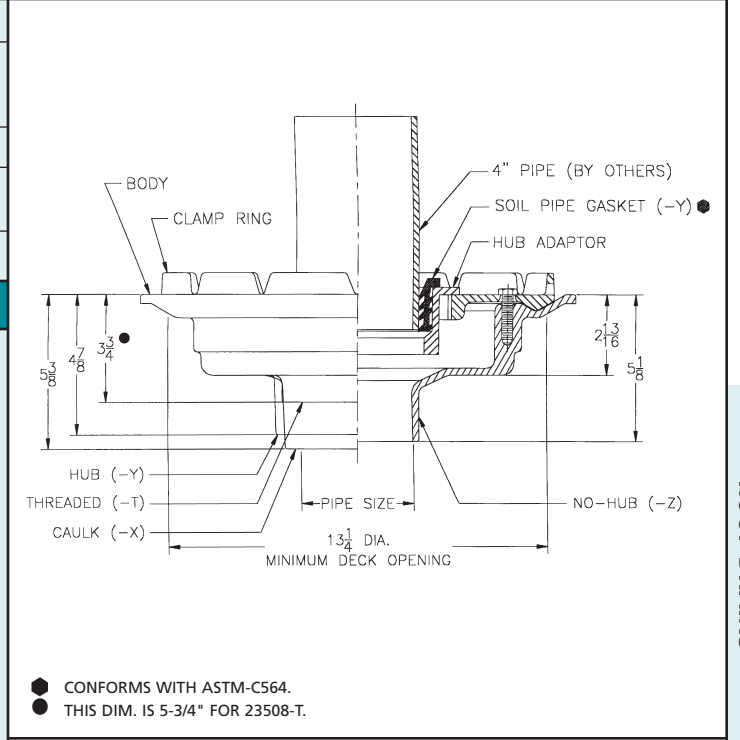
Used on decks where vibration or noise occur. The neoprene gasket isolates vibration and sound from mechanical equipment rooms, studios, music rooms or heavy manufacturing areas and prevents transmission through the plumbing system.

SPECIFICATION

JOSAM 29000 Series coated cast iron Isolation Deck Drain with non-puncturing clamp ring for standpipe, with bottom outlet connection.

Available Options

- | | | | |
|-----|--|-----------------|-------------------------------|
| -CR | Clamping Drain Receiver | -17 | 2" High Solid Clamping Collar |
| -1 | Deck Clamp Assembly | -20 | Galvanized Cast Iron Parts |
| -1C | Drain Receiver Clips
(Min. Deck Opening 16.5" Dia.) | OUTLETS: | |
| -2 | Drain Receiver | -66 | No-Hub Side Outlet, 2"-6" |
| -3 | Deck Clamp Assembly
and Drain Receiver | -T | Threaded Outlet |
| -3C | Drain Receiver and Drain
Receiver Clips | -X | Inside Caulk Outlet |
| | | -Y | Hub Outlet w/Gasket, 2"-4" |
| | | -Z | No-Hub Spigot Outlet |



● CONFORMS WITH ASTM-C564.
● THIS DIM. IS 5-3/4" FOR 23508-T.

FOR OUTLET TYPE SPECIFY -T, -X, -Y or -Z					
TYPE NO.	PIPE SIZE	LBS.	TYPE NO.	PIPE SIZE	LBS.
29002	2	39	29005	5	39
29003	3	39	29006	6	39
29004	4	39	29008	8	39

29112 SERIES EXTRA-LARGE SUMP

APPLICATION

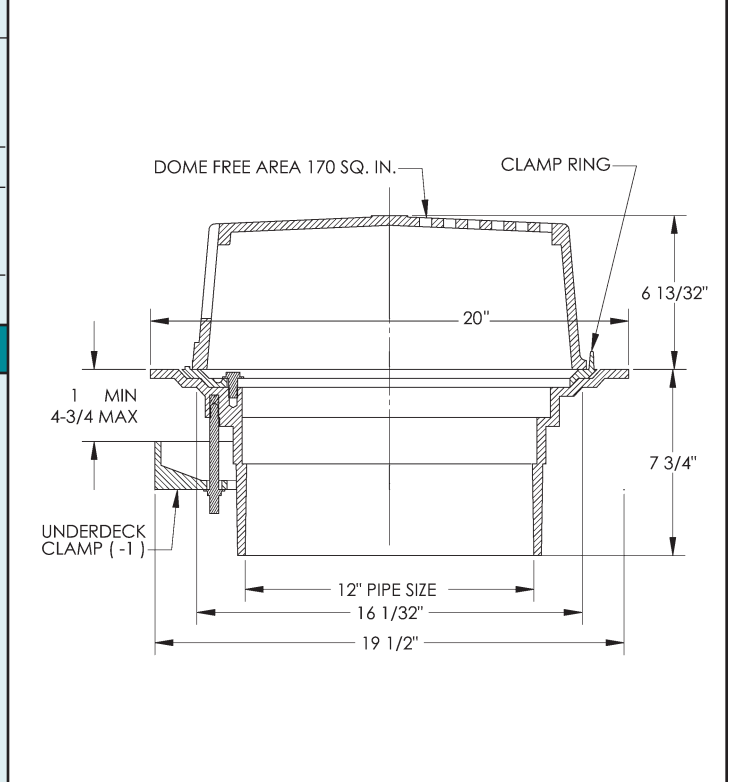
Used on roofs of any size, for any type of construction. Extra large slotted cast iron dome ensures maximum free area for quick drainage of rainwater and protects the drain sump and connected piping from debris. WEJLOC® compression flashing clamp holds the membrane or flashing securely to the drain body.

SPECIFICATION

JOSAM 29112 Series coated cast iron Roof Drain with large cast iron dome, non-puncturing clamp ring with integral gravel stop, large sump with wide roof flange and no-hub bottom outlet.

Available Options

- | | | | |
|--------|---|----------------|-------------------------------|
| -1 | Deck Clamp Assembly | -17 | 2" High Solid Clamping Collar |
| -2 | Drain Receiver | -20 | Galvanized Cast Iron Parts |
| -3 | Deck Clamp Assembly
and Drain Receiver | -VP | Vandal-Proof Dome |
| -10 | Fixed Ext. Collar, C.I.,
(Specify Hgt.) 4" Std. | OUTLET: | |
| -10-20 | Fixed Ext. Collar, Galv.,
(Specify Hgt.) 4" Std. | -Z | No-Hub Spigot Outlet |



FOR OUTLET TYPE SPECIFY -Z		
TYPE NO.	PIPE SIZE	LBS.
29112	12	77