

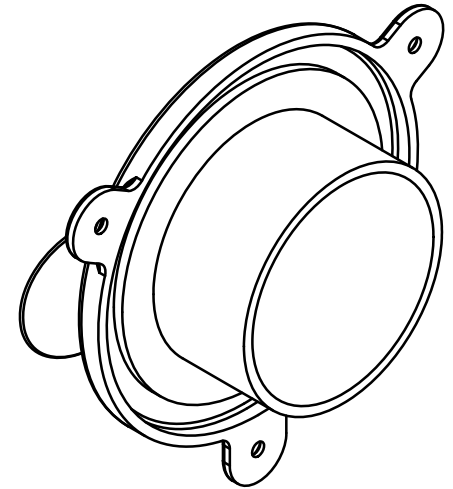
SPECIFICATION:

JOSAM 25010-Z SERIES COATED CAST BRONZE DOWNSPOUT NOZZLE, LOOSE WALL FLANGE AND NO-HUB INLET CONNECTION.

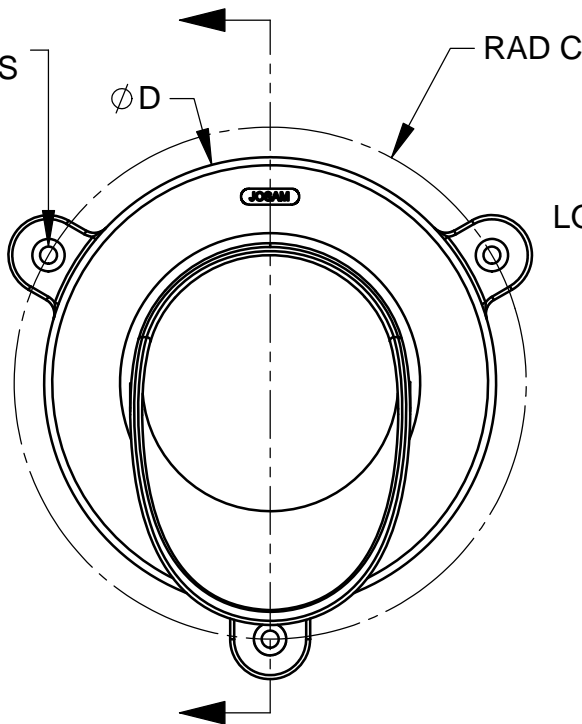
**ROOF DRAIN
DOWNSPOUT NOZZLE**

SERIES **25010-Z**

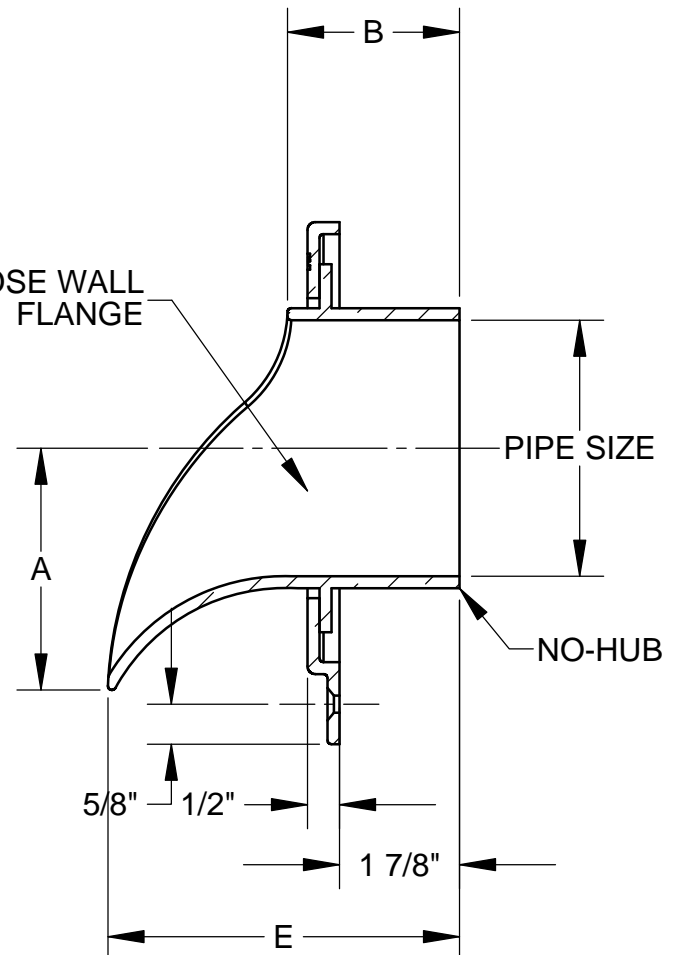
	TYPE	PIPE SIZE	A	B	C	D	E
	25012-Z	2"	2.38	2.63	3.00	5.44	5.38
	25013-Z	3"	3.38	2.63	3.50	6.44	5.38
	25014-Z	4"	3.75	2.63	4.00	7.44	5.50
	25015-Z	5"	4.25	2.63	4.50	8.44	5.75
	25016-Z	6"	4.75	2.63	5.00	9.44	5.75
	25018-Z	8"	5.88	2.63	6.00	11.44	6.50
	25019-Z	10"	6.88	3.00	6.88	13.06	6.50
	25010-12-Z	12"	7.88	3.00	7.88	15.06	6.50



(3) HOLES FOR 1/4" FHMS



LOOSE WALL FLANGE



	-BS	BIRD SCREEN
X	-Z	NO-HUB CONNECTION

	51% AMERICAN PARTS
	100% AMERICAN PARTS

DATE OF LAST CHANGE: 1/26/15

DIMENSIONS ARE SUBJECT TO MANUFACTURERS TOLERANCES AND CHANGE WITHOUT NOTICE. WE CAN ASSUME NO RESPONSIBILITY FOR USE OF SUPERSEDED OR VOID DATA.

JOSAM COMPANY
MICHIGAN CITY, INDIANA

NOTES