

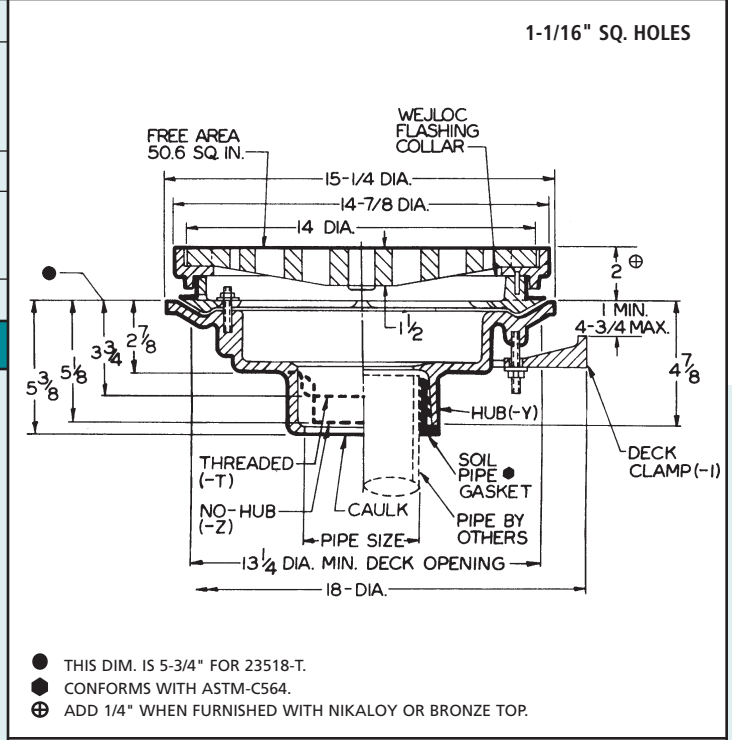
23510 SERIES LARGE SUMP with Extra Heavy-Duty Parking Grate

APPLICATION
Used on roofs or decks designed for heavy traffic, such as parking decks and loading docks. Large round extra heavy-duty grate provides ample free area for proper drainage. WEJLOC® compression flashing clamp holds the membrane or flashing securely to the drain body.

SPECIFICATION
JOSAM 23510 Series coated cast iron Roof Drain, round extra heavy-duty grate set in round secured frame, WEJLOC® non-puncturing flashing collar with weepholes, for 2" roof fill and large sump with wide roof flange and bottom outlet.

Available Options

- | | |
|---|---|
| -CR Clamping Drain Receiver | -20 Galvanized Cast Iron Parts |
| -1 Deck Clamp Assembly | -36 Ductile Iron Grate (Cast Iron Top Only) |
| -1C Drain Receiver Clips (Min. Deck Opening 16.5" Dia.) | -50 Satin Finish Nikaloy Top |
| -2 Drain Receiver | -51 Satin Finish Bronze Top |
| -3 Deck Clamp Assembly and Drain Receiver | -VP Vandal-Proof Grate |
| -3C Drain Receiver and Drain Receiver Clips | OUTLETS: |
| -10 Fixed Ext. Collar, Cast Iron, (Specify Hgt) 4" Std. | -T Threaded Outlet |
| -10-20 Fixed Ext. Collar, Galvanized, (Specify Hgt) 4" Std. | -X Inside Caulk Outlet |
| | -Y Hub Outlet w/Gasket 2" -4" |
| | -Z No-Hub Spigot Outlet |



FOR OUTLET TYPE SPECIFY -T, -X, -Y or -Z

TYPE NO.	PIPE SIZE	LBS.	TYPE NO.	PIPE SIZE	LBS.
23512	2	72	23515	5	73
23513	3	72	23516	6	74
23514	4	73	23518	8	76

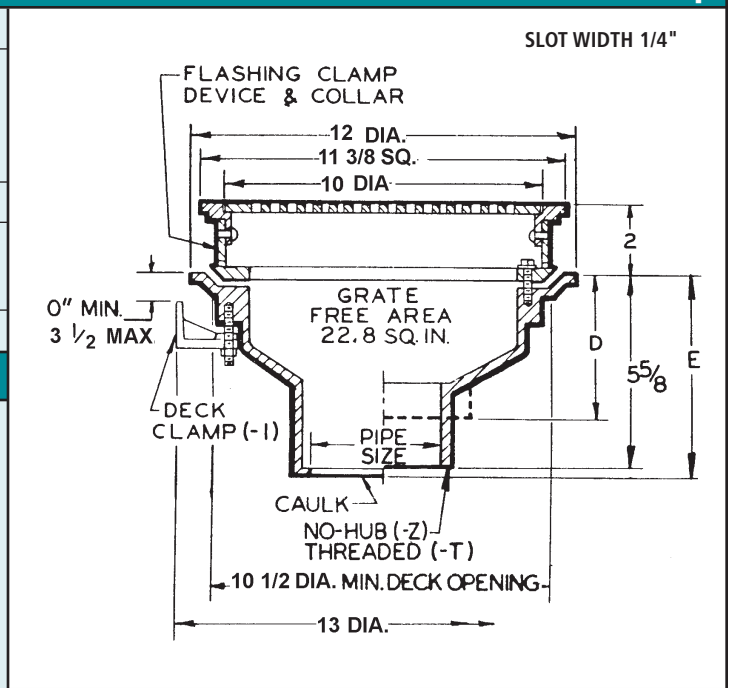
23710 SERIES MEDIUM SUMP, Promenade Top

APPLICATION
Used on small- and medium-sized promenade deck areas and roofs where foot traffic or light- to medium-weight vehicles will be present. Medium-sized round grate set in a square frame provides ample free area for proper drainage and has narrow slotted openings for pedestrian safety and for the interception of debris. Flashing clamp holds the membrane or flashing securely to the drain body.

SPECIFICATION
JOSAM 23710 Series coated cast iron Roof Drain, round pedestrian grate set in square secured frame, non-puncturing flashing collar with weepholes for 2" roof fill and medium sump with roof flange and bottom outlet.

Available Options

- | | |
|---|---------------------------------|
| -1 Deck Clamp Assembly | -20 Galvanized Cast Iron Parts |
| -1C Drain Receiver Clips (Min. Deck Opening 13.75" Dia.) | -50 Satin Finish Nikaloy Top |
| -2 Drain Receiver | -51 Satin Finish Bronze Top |
| -3 Deck Clamp Assembly and Drain Receiver | -VP Vandal-Proof Grate |
| -3C Drain Receiver and Drain Receiver Clips | OUTLETS: |
| -12 Extended Flashing Collar, Cast Iron, (Specify Height) 1" Std. | -66 No-Hub Side Outlet, 2" - 6" |
| | -T Threaded Outlet |
| | -X Inside Caulk Outlet |
| | -Z No-Hub Spigot Outlet |



FOR OUTLET TYPE SPECIFY -T, -X or -Z

TYPE NO.	PIPE SIZE	D	E	LBS.
23712	2	4-3/4	6-1/4	32
23713	3	4-3/4	6-1/4	32
23714	4	4-1/2	6-1/4	32
23715	5	4-3/8	6	36
23716	6	4	5-3/4	36

ROOF DRAINS