

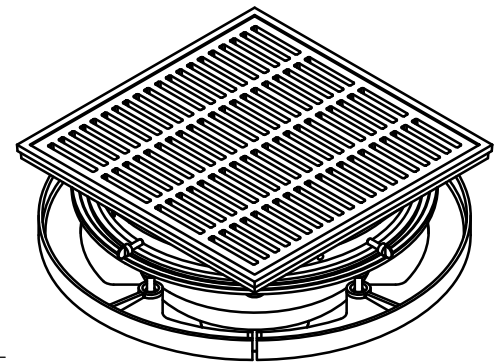
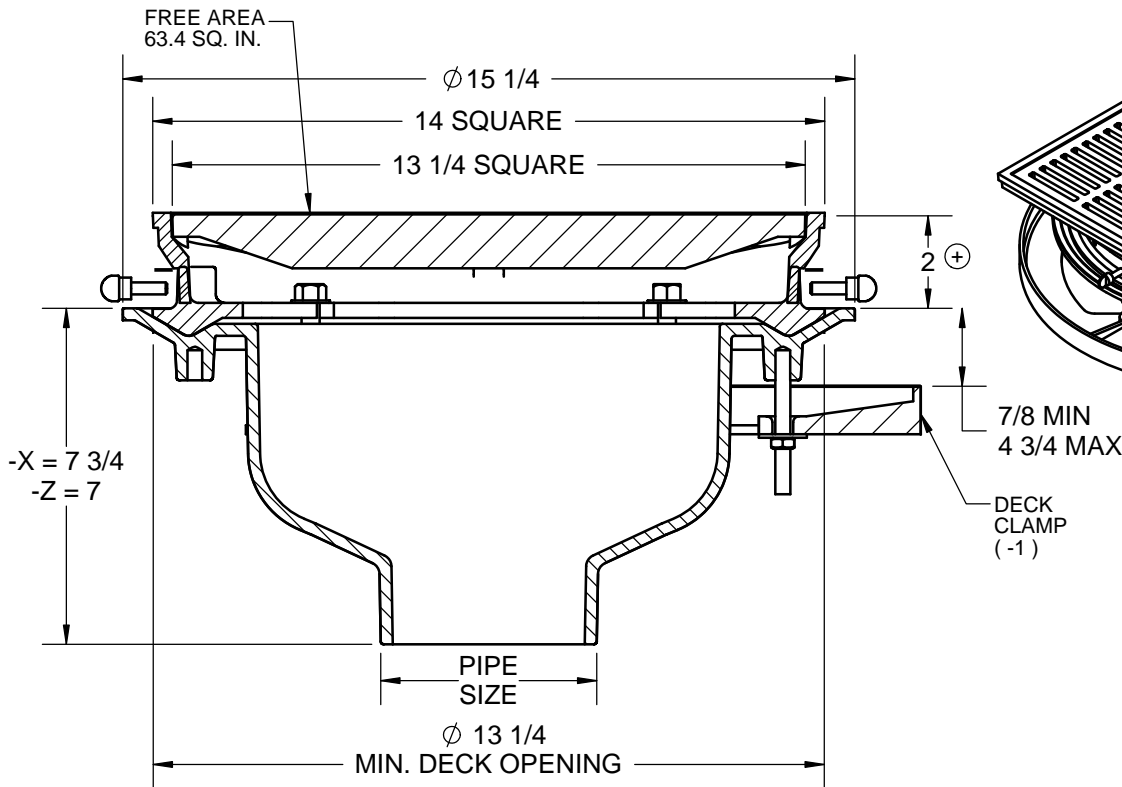
SPECIFICATION:

JOSAM 23500-18 SERIES COATED CAST IRON ROOF DRAIN, SQUARE PEDESTRIAN GRATE SET IN SQUARE SECURED FRAME, WEJLOC® NON-PUNCTURING FLASHING COLLAR WITH WEEPHOLES FOR 2" ROOF FILL, DEEP SUMP WITH WIDE ROOF FLANGE AND BOTTOM OUTLET.

**ROOF DRAIN
EXTRA-DEEP SUMP**

SERIES **23500-18**

⊕ ADD 1/4" WHEN FURNISHED W/NIKALOY OR BRONZE TOP



SLOT WIDTH 5/16"
(-50 & -51 SLOT WIDTH 1/4")

** -10 EXTENSION 4" STANDARD

2"	PIPE SIZE		-2	DRAIN RECEIVER
3"	PIPE SIZE		-3	DECK CLAMP ASY. AND DRAIN RECEIVER
4"	PIPE SIZE		-3C	DRAIN RECEIVER AND DRAIN RECEIVER CLIPS
5"	PIPE SIZE		-4	SECONDARY FLASHING CLAMP (-AE ONLY)
6"	PIPE SIZE		-10	FIXED EXT. COLLAR, CAST IRON (SPECIFY HEIGHT **)
			-10-20	FIXED EXT. COLLAR, GALVANIZED (SPECIFY HEIGHT **)
-X	INSIDE CAULK OUTLET	X	-18	EXTRA-DEEP SUMP
-Z	NO-HUB SPIGOT OUTLET		-36	DUCTILE IRON GRATE (CAST IRON TOP ONLY)
			-37-50	HVY-DUTY DUCTILE UNDERGRATE LAMINATED TOP, NIKALOY
-AE	THREADED LEVELZEZE ADJ. EXT.		-37-51	HVY-DUTY DUCTILE UNDERGRATE LAMINATED TOP, BRONZE
-IRMA	PERFORATED STAINLESS STEEL EXTENSION		-50	CAST IRON UNDERGRATE LAMINATED TOP, NIKALOY
-CR	CLAMPING DRAIN RECEIVER (MIN. DECK OPENING ϕ 16")		-51	CAST IRON UNDERGRATE LAMINATED TOP, BRONZE
-PG	PARKING GRATE - 110 SQ. IN. FREE AREA		-66	NO-HUB SIDE OUTLET (2" THRU 6" OUTLETS ONLY)
-1	DECK CLAMP ASSEMBLY		-VP	SECURED GRATE, VANDAL-PROOF SCREWS
-1C	DRAIN RECEIVER CLIPS (MIN. DECK OPENING ϕ 16")			

DATE OF LAST CHANGE: 5/04/15

DIMENSIONS ARE SUBJECT TO MANUFACTURERS TOLERANCES AND CHANGE WITHOUT NOTICE. WE CAN ASSUME NO RESPONSIBILITY FOR USE OF SUPERSEDED OR VOID DATA.

JOSAM COMPANY
MICHIGAN CITY, INDIANA

NOTES