

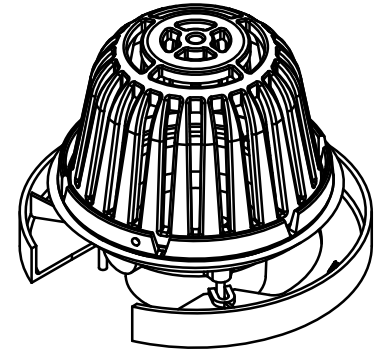
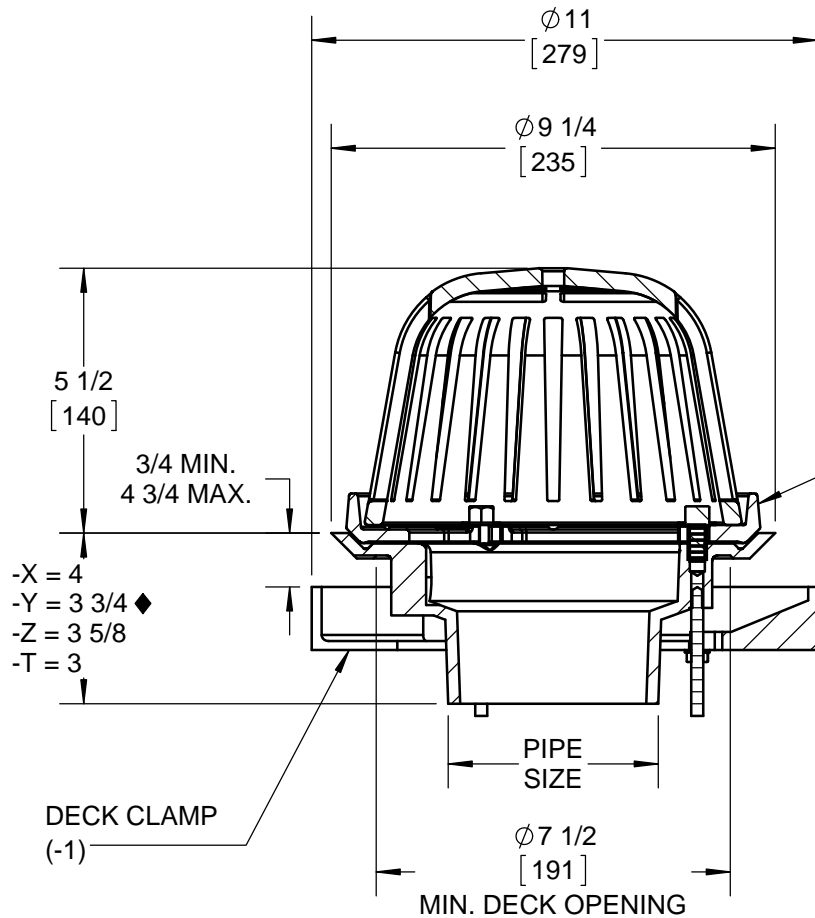
**SPECIFICATION:**

JOSAM 22080 SERIES COATED CAST IRON ROOF DRAIN, BEEHIVE DOME, WEJLOC® NON-PUNCTURING CLAMP RING WITH INTEGRAL GRAVEL STOP, SMALL SUMP WITH ROOF FLANGE AND BOTTOM OUTLET.

**ROOF DRAIN  
SMALL SUMP, HIGH DOME**

SERIES **22080**

DOME FREE AREA: 37.6 SQ. IN.



WEJLOC CLAMP RING AND GRAVEL STOP

◆ GASKET ON -Y CONNECTION CONFORMS WITH ASTM-C564

\* STANDARD DRAIN RECEIVER CANNOT BE USED WITH -TSO OPTION. CONTACT FACTORY. DECK CLAMP CANNOT BE USED WITH -TSO OPTION IN 4" SIZE.

▼ SEPARATE SUBMITTAL FOR THIS OPTION AVAILABLE

\*\*-10 EXTENSION 1" STANDARD

	2"	PIPE SIZE		-10-20	FIXED EXT. COLLAR, GALVANIZED ( SPECIFY HEIGHT ** )
	3"	PIPE SIZE	▼	-17	2" HIGH SOLID CLAMPING COLLAR
	4"	PIPE SIZE		-20	GALVANIZED CAST IRON PARTS
				-21	GALVANIZED CAST IRON DOME ONLY
	-X	INSIDE CAULK OUTLET		-23	ROUGH BRONZE DOME
	-Y	HUB OUTLET WITH GASKET		-26	ALUMINUM DOME
	-Z	NO-HUB SPIGOT OUTLET		-33	SS MESH-COVERED DOME
	-T	THREADED OUTLET		-TSO*	THREADED SIDE OUTLET
	-1	DECK CLAMP ASSEMBLY		-VP	VANDAL-PROOF DOME
	-1C	DRAIN RECEIVER CLIPS ( MIN. DECK OPENING $\phi$ 16.5" )			
	-2	DRAIN RECEIVER			
	-3	DECK CLAMP ASSEMBLY AND DRAIN RECEIVER			
	-3C	DRAIN RECEIVER AND DRAIN RECEIVER CLIPS			
	-10	FIXED EXT. COLLAR, CAST IRON ( SPECIFY HEIGHT ** )			

DATE OF LAST CHANGE: 10/12/16

DIMENSIONS ARE SUBJECT TO MANUFACTURERS TOLERANCES AND CHANGE WITHOUT NOTICE. WE CAN ASSUME NO RESPONSIBILITY FOR USE OF SUPERSEDED OR VOID DATA.

**JOSAM COMPANY**  
MICHIGAN CITY, INDIANA

NOTES