

21500 SERIES

LARGE SUMP

APPLICATION

Used on roofs of any size, for any type of construction. Large slotted dome provides maximum free area for quick drainage of rainwater and protects the drain sump and connected piping from debris. WEJLOC® compression flashing clamp holds the membrane or flashing securely to the drain body.

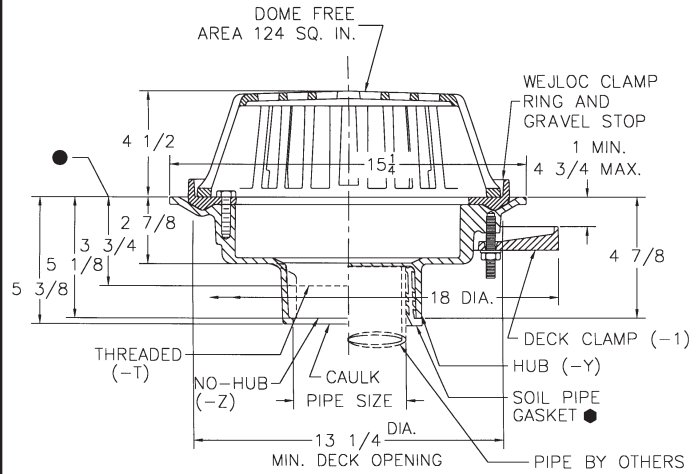
SPECIFICATION

JOSAM 21500 Series coated cast iron Roof Drain, large polypropylene locking dome, WEJLOC® non-puncturing clamp ring with integral gravel stop, large sump with wide roof flange and bottom outlet.

Available Options

▼ -AE	LEVELEZE® Adjustable Ext.	▼ -16	* Internal Waterguard
▼ -AER	Adjustable Extension Using Threaded Rods	-17	* 2" High Solid Clamping Collar
▼ -IRMA	Perforated Stainless Steel Extension	▼ -19	Clamp Collar w/Perforated SS Gravel Guard
-CR	Clamping Drain Receiver	-20	Galv. Cast Iron Parts
-1	Deck Clamp Assembly	-21	Galv. Cast Iron Dome Only
-1C	Drain Receiver Clips (Min. Deck Opening 16.5" Dia.)	-22	Cast Iron Dome
-2	Drain Receiver	-23	Rough Bronze Dome
-3	Deck Clamp Assembly and Drain Receiver	-26	Aluminum Dome
-3C	Drain Receiver and Drain Receiver Clips	-33	Stainless Mesh Screen-Covered Dome
-4	Secondary Flashing Clamp (use with -AE only)	-VP	Vandal-Proof Dome
▼ -6	Extra Wide Flange Drain Body, 2"- 6"-X only	OUTLETS:	
-10	Fixed Ext. Collar, C.I., (Specify Hgt.) 4" Std.	-66	No-Hub Side Outlet, 2"-6"
-10-20	Fixed Ext. Collar, Galv., (Specify Hgt.) 4" Std.	-T	Threaded Outlet
		-X	Inside Caulk Outlet
		-Y	Hub Outlet w/Gasket, 2"-4"
		-Z	No-Hub Spigot Outlet

* -16 and -17 cannot be furnished together.



- CONFORMS WITH ASTM-C564.
- THIS DIM. IS 5-3/4" FOR 21508-T.

FOR OUTLET TYPE SPECIFY -T, -X, -Y or -Z

TYPE NO.	PIPE SIZE	LBS.	TYPE NO.	PIPE SIZE	LBS.
21502	2	36	21506	6	40
21503	3	37	21508	8	42
21504	4	38	21509-Z	10†	43
21505	5	39	†10" AVAILABLE IN NO-HUB ONLY.		

21500-6 SERIES

LARGE SUMP with -6 Extra Wide Flange Drain Body

APPLICATION

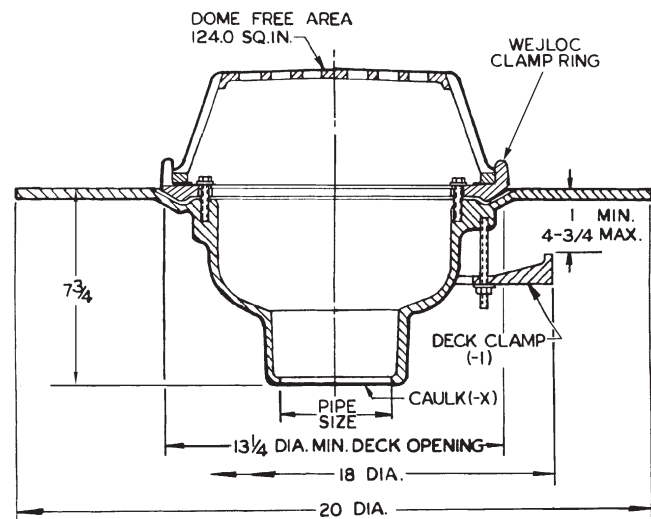
Used on roofs of any size, typically concrete decking, large slotted dome ensures maximum free area for quick drainage of rainwater and protects the drain sump and connected piping from debris. WEJLOC® compression-flashing clamp holds the membrane or flashing securely to the drain body. Extra wide flange provides positive support and large bonding surface for liquid applied membranes.

SPECIFICATION

JOSAM 21500-6 Series coated cast iron Roof Drain, large polypropylene locking dome. WEJLOC® non-puncturing clamp ring with integral gravel stop, large sump with extra-wide roof flange and bottom outlet inside caulk connection.

OPTIONS N/A:

-AER, -CR, -1C, -2, -3, -3C, -4



FOR OUTLET TYPE SPECIFY -X

TYPE NO.	PIPE SIZE	LBS.	TYPE NO.	PIPE SIZE	LBS.
21502-6	2	77	21505-6	5	80
21503-6	3	78	21506-6	6	81
21504-6	4	79			