

## 21500 SERIES

## LARGE SUMP

### APPLICATION

Used on roofs of any size, for any type of construction. Large slotted dome provides maximum free area for quick drainage of rainwater and protects the drain sump and connected piping from debris. WEJLOC® compression flashing clamp holds the membrane or flashing securely to the drain body.

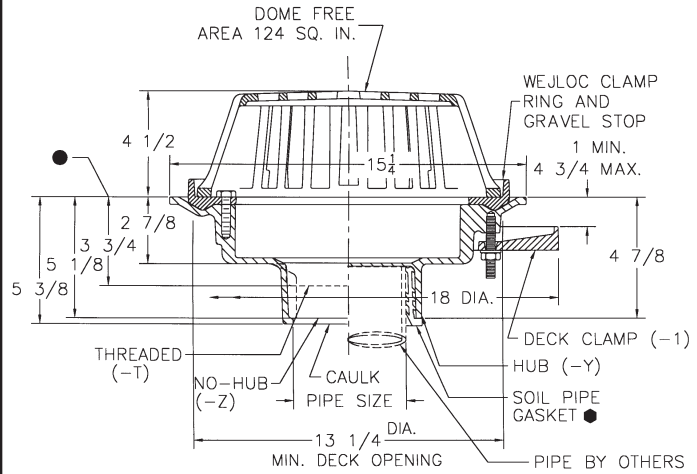
### SPECIFICATION

JOSAM 21500 Series coated cast iron Roof Drain, large polypropylene locking dome, WEJLOC® non-puncturing clamp ring with integral gravel stop, large sump with wide roof flange and bottom outlet.

### Available Options

▼ -AE	LEVELEZE® Adjustable Ext.	▼ -16	* Internal Waterguard
▼ -AER	Adjustable Extension Using Threaded Rods	-17	* 2" High Solid Clamping Collar
▼ -IRMA	Perforated Stainless Steel Extension	▼ -19	Clamp Collar w/Perforated SS Gravel Guard
-CR	Clamping Drain Receiver	-20	Galv. Cast Iron Parts
-1	Deck Clamp Assembly	-21	Galv. Cast Iron Dome Only
-1C	Drain Receiver Clips (Min. Deck Opening 16.5" Dia.)	-22	Cast Iron Dome
-2	Drain Receiver	-23	Rough Bronze Dome
-3	Deck Clamp Assembly and Drain Receiver	-26	Aluminum Dome
-3C	Drain Receiver and Drain Receiver Clips	-33	Stainless Mesh Screen-Covered Dome
-4	Secondary Flashing Clamp (use with -AE only)	-VP	Vandal-Proof Dome
▼ -6	Extra Wide Flange Drain Body, 2"- 6"-X only	<b>OUTLETS:</b>	
-10	Fixed Ext. Collar, C.I., (Specify Hgt.) 4" Std.	-66	No-Hub Side Outlet, 2"-6"
-10-20	Fixed Ext. Collar, Galv., (Specify Hgt.) 4" Std.	-T	Threaded Outlet
		-X	Inside Caulk Outlet
		-Y	Hub Outlet w/Gasket, 2"-4"
		-Z	No-Hub Spigot Outlet

\* -16 and -17 cannot be furnished together.



- CONFORMS WITH ASTM-C564.
- THIS DIM. IS 5-3/4" FOR 21508-T.

FOR OUTLET TYPE SPECIFY -T, -X, -Y or -Z

TYPE NO.	PIPE SIZE	LBS.	TYPE NO.	PIPE SIZE	LBS.
21502	2	36	21506	6	40
21503	3	37	21508	8	42
21504	4	38	21509-Z	10†	43
21505	5	39	†10" AVAILABLE IN NO-HUB ONLY.		

## 21500-6 SERIES

## LARGE SUMP with -6 Extra Wide Flange Drain Body

### APPLICATION

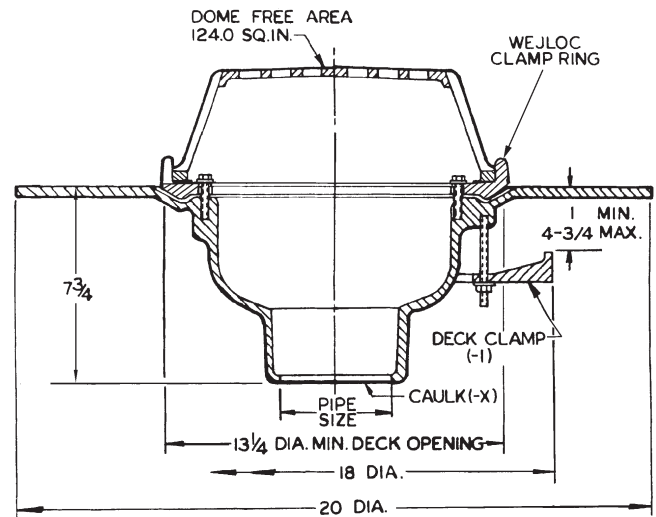
Used on roofs of any size, typically concrete decking, large slotted dome ensures maximum free area for quick drainage of rainwater and protects the drain sump and connected piping from debris. WEJLOC® compression-flashing clamp holds the membrane or flashing securely to the drain body. Extra wide flange provides positive support and large bonding surface for liquid applied membranes.

### SPECIFICATION

JOSAM 21500-6 Series coated cast iron Roof Drain, large polypropylene locking dome. WEJLOC® non-puncturing clamp ring with integral gravel stop, large sump with extra-wide roof flange and bottom outlet inside caulk connection.

#### OPTIONS N/A:

-AER, -CR, -1C, -2, -3, -3C, -4



FOR OUTLET TYPE SPECIFY -X

TYPE NO.	PIPE SIZE	LBS.	TYPE NO.	PIPE SIZE	LBS.
21502-6	2	77	21505-6	5	80
21503-6	3	78	21506-6	6	81
21504-6	4	79			

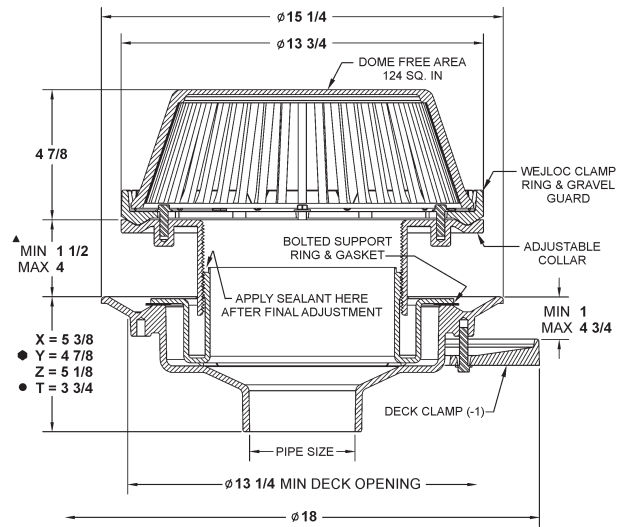
## 21500-AE SERIES LARGE SUMP with -AE Threaded Adjustable Extension

### APPLICATION

Used on roofs of any size, for any type of construction. Large slotted dome provides maximum free area for quick drainage of rainwater and protects the drain sump and connected piping from debris. WEJLOC® compression flashing clamp holds the membrane or flashing securely to the drain body. LEVELEZE® adjustable extension accommodates insulation of variable thickness.

### SPECIFICATION

JOSAM 21500-AE Series coated cast iron LEVELEZE® Roof Drain, large polypropylene locking dome, WEJLOC® non-puncturing clamp ring with integral gravel stop, bolted support ring, adjustable top with wide roof flange, large sump with anchor flange and bottom outlet.



- ▲ WITH CLAMP RING 2-1/4" MIN. 4-1/4" MAX.
- CONFORMS WITH ASTM-C564.
- THIS DIM. IS 5-3/4" FOR 21508-AE-T.

FOR OUTLET TYPE SPECIFY -T, -X, -Y or -Z

TYPE NO.	PIPE SIZE	LBS.	TYPE NO.	PIPE SIZE	LBS.
21502-AE	2	60	21506-AE	6	58
21503-AE	3	59	21508-AE	8	61
21504-AE	4	59	21509-AE-Z	10†	62
21505-AE	5	58	†10" AVAILABLE IN NO-HUB ONLY.		

## 21500-AER SERIES LARGE SUMP with -AER Adjustable Ext. Using Threaded Rods

### APPLICATION

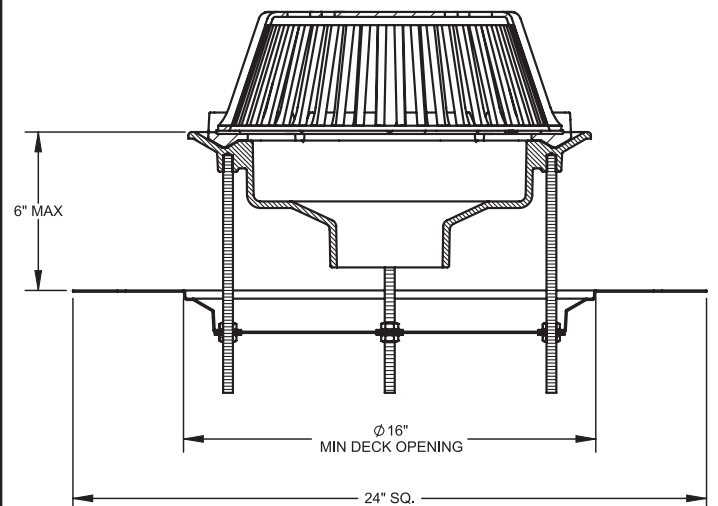
Used on roofs of any size, for any type of construction. Large slotted dome provides maximum free area for quick drainage of rainwater and protects the drain sump and connected piping from debris. WEJLOC® compression flashing clamp holds the membrane or flashing securely to the drain body. Threaded rods attached to drain body and receiver permit the raising and lowering of roof drain body to meet the insulation thickness at the required elevation.

### SPECIFICATION

JOSAM 21500-AER Series coated cast iron roof drain, large polypropylene locking dome, WEJLOC® non-puncturing clamp ring, large sump with adjustable extension rods, drain receiver and bottom outlet.

#### OPTIONS N/A:

-AE, -1, -1C, -2, -3, -3C, -4, -10, -10-20



FOR OUTLET TYPE SPECIFY -T, -X, -Y or -Z

TYPE NO.	PIPE SIZE	LBS.	TYPE NO.	PIPE SIZE	LBS.
21502-AER	2	44	21506-AER	6	48
21503-AER	3	45	21508-AER	8	50
21504-AER	4	46	21509-AER-Z	10†	51
21505-AER	5	47	†10" AVAILABLE IN NO-HUB ONLY.		

## 21500-16 SERIES

## LARGE SUMP with -16 Internal Waterguard

### APPLICATION

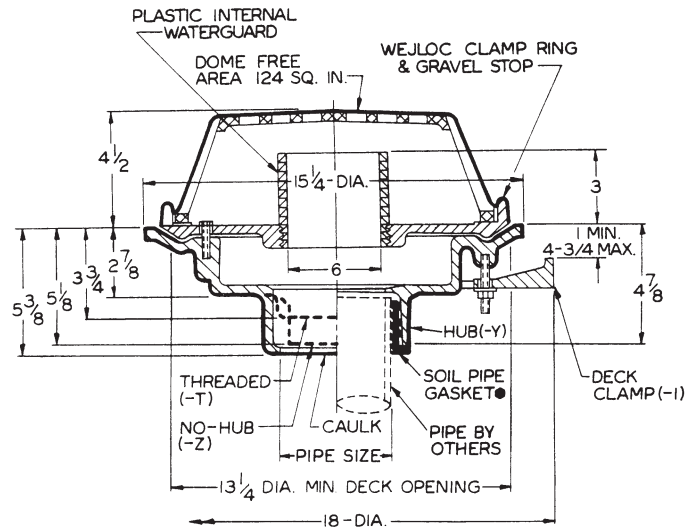
Used on roofs of any size, for any type of construction where constant flooding is required at a predetermined water depth. It may also be used on conventional roofs as a safety overflow, which receives water only when the build-up is greater than the height of the standpipe. Large slotted dome provides maximum free area for quick drainage of rainwater and protects the drain sump and connected piping from debris. WEJLOC® compression-flashing clamp holds the membrane or flashing securely to the drain body.

### SPECIFICATION

JOSAM 21500-16 Series coated cast iron Roof Drain, internal waterguard type, and large polypropylene locking dome. WEJLOC® non-puncturing clamp ring with integral gravel stop, secured plastic internal waterguard for 3" water depth and large sump with wide roof flange and bottom outlet.

#### OPTIONS N/A:

-4, -17



● CONFORMS WITH ASTM-C564.

FOR OUTLET TYPE SPECIFY -T, -X, -Y or -Z

TYPE NO.	PIPE SIZE	LBS.	TYPE NO.	PIPE SIZE	LBS.
21502-16	2	41	21505-16	5	44
21503-16	3	42	21506-16	6	45
21504-16	4	43			

## 21500-19 SERIES

## LARGE SUMP with -19 Perforated Stainless Steel Gravelguard

### APPLICATION

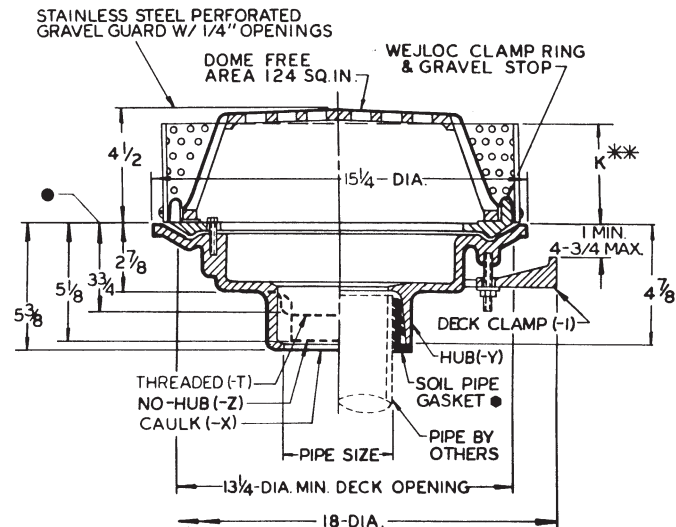
Used on flat roofs where gravel ballast is employed to anchor the membrane. Large slotted dome provides maximum free area for quick drainage of rainwater and protects the drain sump and connected piping from debris. WEJLOC® compression flashing clamp holds the membrane or flashing securely to the drain body. Perforated stainless steel gravel guard and restrains gravel ballast from dome and drain sump.

### SPECIFICATION

JOSAM 21500-19 Series coated cast iron Roof Drain, large polypropylene locking dome, WEJLOC® non-puncturing clamp ring with integral gravel stop and stainless perforated gravel guard and large sump with wide roof flange and bottom outlet.

#### OPTION N/A:

-4



● CONFORMS WITH ASTM-C564.

• THIS DIM IS 5-3/4" FOR 21508-19-T.

\*\* "K" DIM. SPECIFY ON ORDER, 4" MAX.

FOR OUTLET TYPE SPECIFY -T, -X, -Y or -Z

TYPE NO.	PIPE SIZE	LBS.	TYPE NO.	PIPE SIZE	LBS.
21502-19	2	36	21506-19	6	40
21503-19	3	37	21508-19	8	42
21504-19	4	38	21509-19-Z	10†	43
21505-19	5	39			

†10" AVAILABLE IN NO-HUB ONLY.

## 21500-IRMA SERIES LARGE SUMP with Perforated Stainless Steel Extension

### APPLICATION

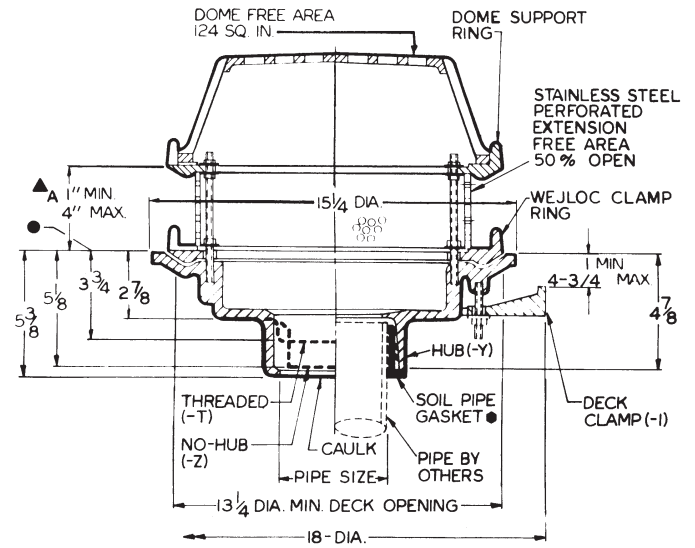
Used on roof systems where the "Insulated Membrane Assembly," also known as, "Inverted Membrane Assembly" is specified. Insulation is installed on top of the waterproof membrane and gravel ballast is applied over the insulation. Drain is furnished with a perforated stainless steel extension, made to the specified height of the insulation combined with the depth of the ballast. Large slotted dome provides maximum free area for quick drainage of rainwater and protects the drain sump and connected piping from debris. WEJLOC® compression flashing clamp holds the membrane or flashing securely to the drain body.

### SPECIFICATION

JOSAM 21500-IRMA Series coated cast iron Roof Drain, large polypropylene locking dome, dome support ring, perforated stainless steel extension filter, WEJLOC® non-puncturing clamp ring and large sump with wide roof flange and bottom outlet.

#### OPTION N/A:

-4



- CONFORMS WITH ASTM-C564.
- ▲ "A" DIM. SPECIFY ON ORDER.
- THIS DIM. IS 5-3/4" FOR 21508-IRMA-T.

FOR OUTLET TYPE SPECIFY -T, -X, -Y or -Z

TYPE NO.	PIPE SIZE	LBS.	TYPE NO.	PIPE SIZE	LBS.
21502-IRMA	2	39	21506-IRMA	6	43
21503-IRMA	3	40	21508-IRMA	8	45
21504-IRMA	4	41	21509-IRMA-Z	10†	46
21505-IRMA	5	42	†10" AVAILABLE IN NO-HUB ONLY.		

## 21500-IRMA-6 SERIES LARGE SUMP with -6 Wide Flange & Perforated SS Extension

### APPLICATION

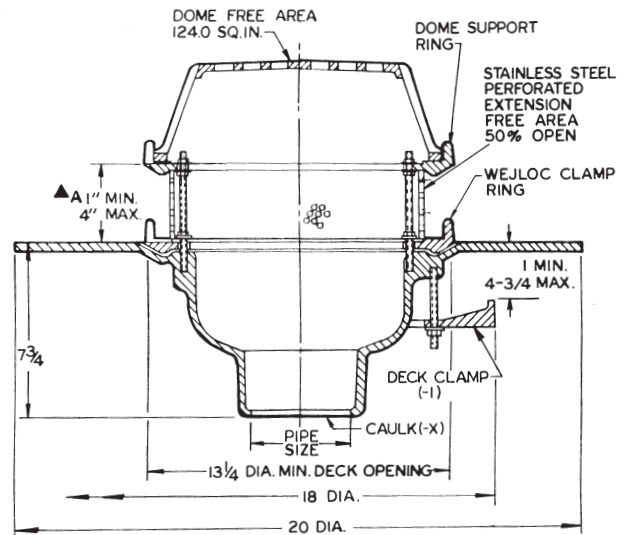
Used on roof systems where the "Insulated Membrane Assembly," also known as, "Inverted Membrane Assembly" is specified. Insulation is installed on top of the waterproof membrane and gravel ballast is applied over the insulation. Drain is furnished with a perforated stainless steel extension, made to the specified height of the insulation combined with the depth of the ballast. Large slotted dome provides maximum free area for quick drainage of rainwater and protects the drain sump and connected piping from debris. WEJLOC® compression flashing clamp holds the membrane or flashing securely to the drain body. With extra wide deck flange for positive support and large bonding surface for liquid applied membranes.

### SPECIFICATION

JOSAM 21500-IRMA-6 Series coated cast iron Roof Drain, large polypropylene locking dome, dome support ring, perforated stainless steel extension filter, WEJLOC® non-puncturing clamp ring and large sump with extra wide roof flange and bottom outlet inside caulk connection.

#### OPTION N/A:

-4



- ▲ "A" DIM. SPECIFY ON ORDER

FOR OUTLET TYPE SPECIFY -X

TYPE NO.	PIPE SIZE	LBS.	TYPE NO.	PIPE SIZE	LBS.
21502-IRMA-6	2	77	21505-IRMA-6	5	80
21503-IRMA-6	3	78	21506-IRMA-6	6	81
21504-IRMA-6	4	79			