

**SPECIFICATION:**

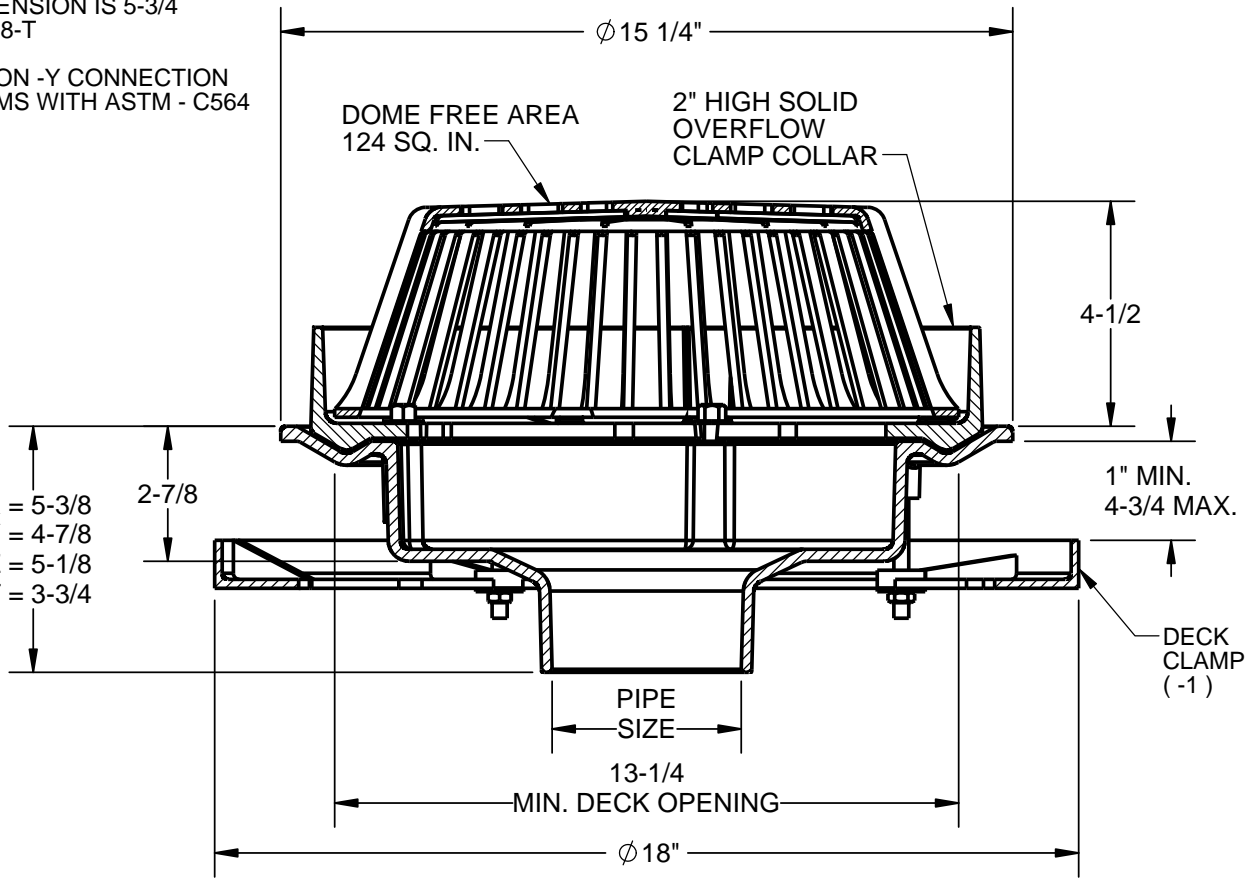
JOSAM 21500-17 SERIES COATED CAST IRON DRAIN, LARGE POLYPROYLENE LOCKING DOME, 2" HIGH SOLID WEJLOC® NON-PUNCTURING CLAMP RING, LARGE SUMP WITH WIDE ROOF FLANGE AND BOTTOM OUTLET.

**ROOF DRAIN**

LARGE SUMP

SERIES **21500-17**

- THIS DIMENSION IS 5-3/4 FOR 21508-T
- GASKET ON -Y CONNECTION CONFORMS WITH ASTM - C564



\*\* -10 EXT. 4" STANDARD

2"	PIPE SIZE			-1C	DRAIN RECEIVER CLIPS ( MIN. DECK OPENING $\phi$ 16" )
3"	PIPE SIZE			-2	DRAIN RECEIVER
4"	PIPE SIZE			-3	DECK CLAMP ASY. & DRAIN RECEIVER
5"	PIPE SIZE			-3C	DRAIN RECEIVER & DRAIN RECEIVER CLIPS
6"	PIPE SIZE			-4	SECONDARY FLASHING CLAMP ( -AE ONLY )
8"	PIPE SIZE			-6	EXTRA WIDE FLANGE DRAIN BODY
10"	PIPE SIZE ( NO-HUB ONLY )			-10-20	FIXED EXT. COLLAR, GALV. ( SPECIFY HT. ** )
			X	-17	2" HIGH SOLID CLAMPING COLLAR
-X	INSIDE CAULK OUTLET			-19	CLAMP COLLAR W/PERFORATED STAINLESS STEEL GRAVEL GUARD
-Y	HUB OUTLET W/GASKET ( 2", 3" & 4" SIZES ONLY )			-20	GALV. CAST IRON PARTS
-Z	NO-HUB SPIGOT OUTLET			-21	GALV. CAST IRON DOME ONLY
-T	THREADED OUTLET			-22	CAST IRON DOME
				-23	ROUGH BRONZE DOME
-AE	THREADED LEVELEZE® ADJ. EXT.			-26	ALUMINUM DOME
-AER	ADJ. EXT. USING THREADED RODS			-33	STAINLESS STEEL MESH-COVERED DOME
-IRMA	PERFORATED STAINLESS STEEL EXT.			-66	NO-HUB SIDE OUTLET ( 2" THRU 6" OUTLETS ONLY )
-CR	CLAMPING DRAIN RECEIVER ( MIN. DECK OPENING $\phi$ 16" )				
				-VP	SECURED DOME
-1	DECK CLAMP ASY.				

DATE OF LAST CHANGE: 5/6/2011

DIMENSIONS ARE SUBJECT TO MANUFACTURERS TOLERANCES AND CHANGE WITHOUT NOTICE. WE CAN ASSUME NO RESPONSIBILITY FOR USE OF SUPERSEDED OR VOID DATA.

**JOSAM COMPANY**  
MICHIGAN CITY, INDIANA

NOTES