

SPECIFICATION:

JOSAM 17100 SERIES FLOOR-MOUNTED, SINGLE LAVATORY CARRIER WITH CONCEALED ARMS, LEVELING AND SECURING SCREWS, STRUCTURAL UPRIGHTS, AND WELDED FEET.

LAVATORY CARRIER

FLOOR-MOUNT
CONCEALED ARM

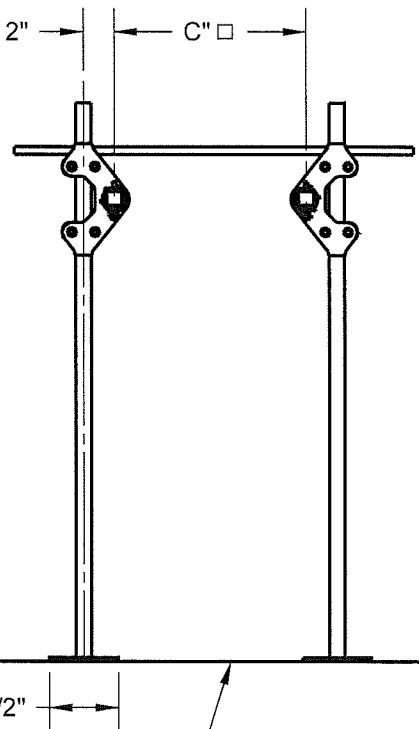
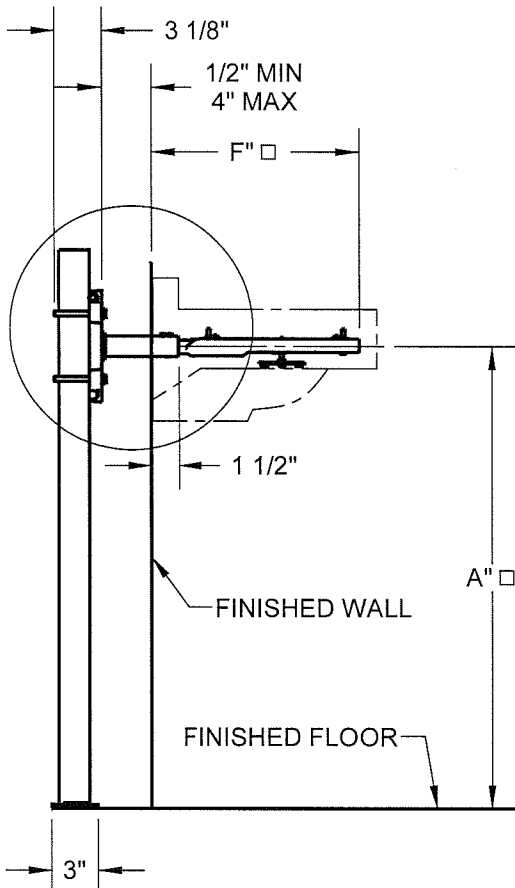
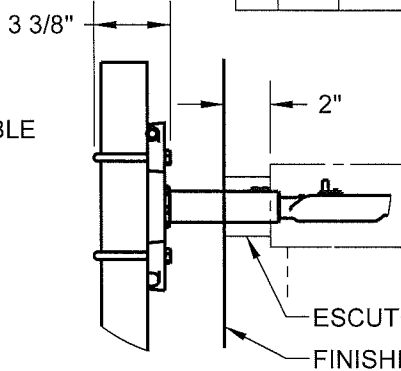
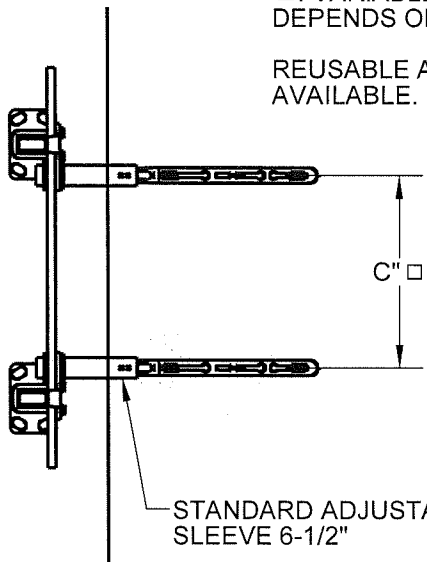
SERIES

17100

□: VARIABLE DIMENSION.
DEPENDS ON FIXTURE.

REUSABLE ALIGNMENT TOOL
AVAILABLE.

-BB	BACK-TO-BACK CARRIER (SEPARATE SUBMITTAL FOR THIS OPTION AVAILABLE)
-10	EXTENSION SLEEVES LONGER THAN STANDARD (SPECIFY WALL THICKNESS)
-60	VALVE PLATE FOR ATTACHING TO UPRIGHT
-67	CONCEALED ARM CARRIER FOR WHEELCHAIR LAVATORY
-75	2" CHROME PLATED ESCUTCHEONS
-76	4" CHROME PLATED ESCUTCHEONS
-77	6" CHROME PLATED ESCUTCHEONS



MANUFACTURER
KOHLER

NUMBER
K2005 K2006

SIZE
21X18

NAME
KINGSTON

DIMENSIONS

A 29-1/8

C 17-1/4

F 15-1/2

RIM HEIGHT 31"
BASED ON "A" DIM SHOWN

JOSAM RECOMMENDS THAT ALL FEET
BE SECURED TO FLOOR WITH 1/2"
BOLTS AND ANCHORS BY OTHERS

REFERENCE DRAWING A-08201-K

DATE OF LAST CHANGE: 06/18/08

DIMENSIONS ARE SUBJECT TO MANUFACTURERS TOLERANCES AND CHANGE WITHOUT NOTICE. WE CAN ASSUME NO RESPONSIBILITY FOR USE OF SUPERSEDED OR VOID DATA.

JOSAM COMPANY
MICHIGAN CITY, INDIANA

NOTES