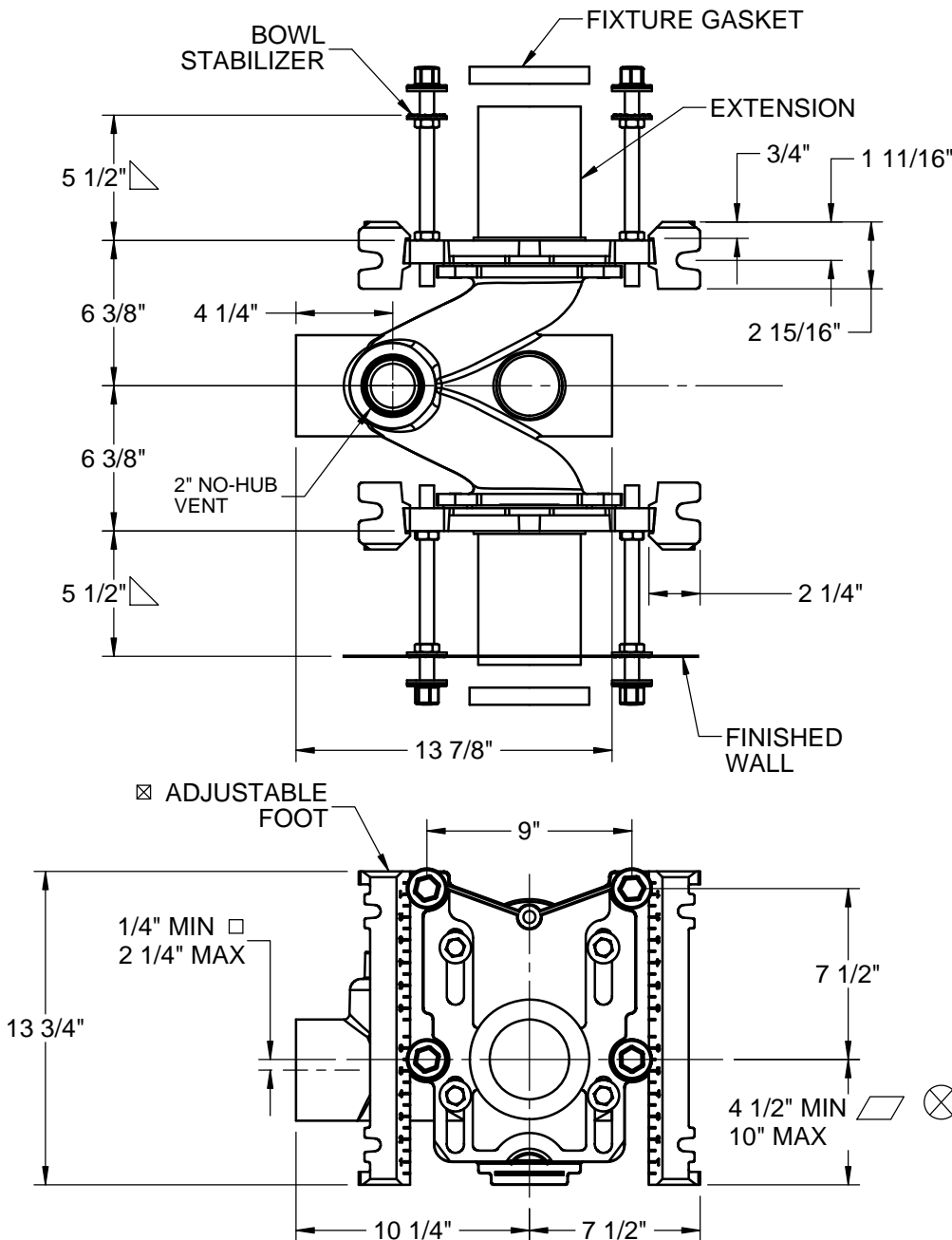


**SPECIFICATION:**

JOSAM 12694 SERIES COATED CAST IRON DOUBLE HORIZONTAL 4" NO-HUB FITTING WITH 2" NO-HUB VENT AND ADJUSTABLE CARRIER BODY, ABS EXTENSION WITH INTEGRAL TEST CAP, PYLON FEET, ANCHOR FOOT, PLATED HARDWARE AND NEOPRENE FIXTURE GASKET, INVERTIBLE FOR SIPHON JET OR BLOWOUT CLOSETS.

**CLOSET CARRIER  
BACK-TO-BACK**

SERIES **12694**



△ FOR DIMENSION SHORTER THAN 5-1/2" (1" MIN), CUT EXTENSION.  
FOR LONGER EXTENSION (10-1/2" MAX), SPECIFY (-10)

☒ RECOMMEND FEET BE SECURED TO FLOOR WITH 1/2" BOLTS AND ANCHORS (BY OTHERS).

⊗ FOR SIPHON JET ROUGHING OVER 6" OR BLOWOUT ROUGHING OVER 12-1/2" SPECIFY ON ORDER.

SIPHON JET DIMS SHOWN. FOR BLOWOUT DIMS, USE:

□ MIN 2" & MAX 4"

▱ MIN 11" & MAX 16 1/2"

⊙ AUX INLET IS 6" OFFSET FROM VENT

-PF	PYLON FOOT, STD.
-OR	O-RING CARRIER
-SD	SPECIAL DUTY 500 LB CARRIER
-HS	HUB & SPIGOT
-AUX	AUXILIARY INLET (2" NO-HUB)
-HUB AUX	AUXILIARY INLET (2" HUB)
-VP	VANDAL-PROOF TRIM
-1	POSITIONING FRAME

-6	SUPPLY PIPE SUPPORT (SPECIFY TYPE OF PIPE)
-10	ABS EXTENSION THROUGH 10-1/2" WALL
-24	FLOOR MOUNTED BACK OUTLET CHINA BOWL
-30	CAST IRON ADJ. EXTENSION W/ CONNECTOR
-30-2	CI ADJ. EXTENSION W/ CONNECTOR & TEST CAP
-32	CARRIER FOR WIDE CHASE INSTALLATIONS
-35	CARRIER FOR WHEELCHAIR HIGH ROUGH
-58	HORIZONTAL NO-HUB CAST LONG BARREL
-XSD	EXTRA SPECIAL DUTY 1,000 LB CARRIER

DATE OF LAST CHANGE: 04/25/14

DIMENSIONS ARE SUBJECT TO MANUFACTURERS TOLERANCES AND CHANGE WITHOUT NOTICE. WE CAN ASSUME NO RESPONSIBILITY FOR USE OF SUPERSEDED OR VOID DATA.

**JOSAM COMPANY**  
MICHIGAN CITY, INDIANA

NOTES